

# Exam Winter Semester 2022

## Student Group

First Name	Surname	Matrikel Nr.

## Table of Contents

Exercise E1 Resistance of a Wire by Resistivity (written test, approx. 6 % of a 60-minute written test, WS2022) .....	3
Exercise E1 Resistance of a Wire by Resistivity (written test, approx. 6 % of a 60-minute written test, WS2022) .....	3
Exercise E2 Temperature-dependent Resistance (written test, approx. 6 % of a 60-minute written test, WS2022) .....	3
Exercise E2 Temperature-dependent Resistance (written test, approx. 6 % of a 60-minute written test, WS2022) .....	4
Exercise E3 Pure Resistor Network Simplification (written test, approx. 13 % of a 60-minute written test, WS2022) .....	5
Exercise E1 Pure Resistor Network Simplification (written test, approx. 13 % of a 60-minute written test, WS2022) .....	6
Exercise E1 Equivalent linear Source (written test, approx. 14 % of a 60-minute written test, WS2022) .....	8
Exercise E3 Equivalent linear Source (written test, approx. 14 % of a 60-minute written test, WS2022) .....	12
Exercise E4 Charging Capacitors (written test, approx. 16 % of a 60-minute written test, WS2022) .....	16
Exercise E4 Charging Capacitors (written test, approx. 16 % of a 60-minute written test, WS2022) .....	17
Exercise E5 Analyzing complex Impedances (written test, approx. 14 % of a 60-minute written test, WS2022) .....	19
Exercise E5 Analyzing complex Impedances (written test, approx. 14 % of a 60-minute written test, WS2022) .....	19
Exercise E6 Impedances at different Frequencies (written test, approx. 18 % of a 60-minute written test, WS2022) .....	20
Exercise E6 Impedances at different Frequencies (written test, approx. 18 % of a 60-minute written test, WS2022) .....	20
Exercise E7 Complex Impedance Circuit (written test, approx. 15 % of a 60-minute written test, WS2022) .....	

test, WS2022) ..... 21

Exercise E7 Complex Impedance Circuit (written test, approx. 15 % of a 60-minute written  
test, WS2022) ..... 24

### Exercise E1 Resistance of a Wire by Resistivity (written test, approx. 6 % of a 60-minute written test, WS2022)

A heating element made of solid nichrome wire with a diameter of  $1.80 \text{ mm}$  is used for electric power dissipation (= heat flow) of  $P=40 \text{ W}$  is necessary.

Determine the current  $I$  needed to operate for heating elements.

The Nichrome wire has a resistivity of  $1.10 \cdot 10^{-6} \text{ } \Omega \cdot \text{m}$ .

The heating element is  $3 \text{ m}$  long and has a diameter of  $3.57 \text{ mm}$ .

∴ Calculate the resistance  $R$  of the heating element.

Solution

$$\begin{aligned} P &= U \cdot I = R \cdot I^2 \quad \rightarrow \quad I = \\ &= \sqrt{\frac{P}{R}} = \sqrt{\frac{40 \text{ W}}{0.33 \text{ } \Omega}} \end{aligned}$$

$$\begin{aligned} R &= \rho \cdot \frac{l}{A} \quad | \quad \text{with } A = r^2 \cdot \pi = \\ &= \frac{1}{4} d^2 \cdot \pi \quad | \quad R = \rho \cdot \frac{4 \cdot l}{d^2 \cdot \pi} \quad | \quad R = \\ &= 1.10 \cdot 10^{-6} \text{ } \Omega \cdot \text{m} \cdot \frac{4 \cdot 3 \text{ m}}{(3.57 \cdot 10^{-3} \text{ m})^2 \cdot \pi} \end{aligned}$$

### Exercise E1 Resistance of a Wire by Resistivity (written test, approx. 6 % of a 60-minute written test, WS2022)

A heating element made of solid nichrome wire with a diameter of  $1.80 \text{ mm}$  is used for electric power dissipation (= heat flow) of  $P=40 \text{ W}$  is necessary.

Determine the current  $I$  needed to operate for heating elements.

The Nichrome wire has a resistivity of  $1.10 \cdot 10^{-6} \text{ } \Omega \cdot \text{m}$ .

The heating element is  $3 \text{ m}$  long and has a diameter of  $3.57 \text{ mm}$ .

∴ Calculate the resistance  $R$  of the heating element.

Solution

$$\begin{aligned} P &= U \cdot I = R \cdot I^2 \quad \rightarrow \quad I = \\ &= \sqrt{\frac{P}{R}} = \sqrt{\frac{40 \text{ W}}{0.33 \text{ } \Omega}} \end{aligned}$$

$$\begin{aligned} R &= \rho \cdot \frac{l}{A} \quad | \quad \text{with } A = r^2 \cdot \pi = \\ &= \frac{1}{4} d^2 \cdot \pi \quad | \quad R = \rho \cdot \frac{4 \cdot l}{d^2 \cdot \pi} \quad | \quad R = \\ &= 1.10 \cdot 10^{-6} \text{ } \Omega \cdot \text{m} \cdot \frac{4 \cdot 3 \text{ m}}{(3.57 \cdot 10^{-3} \text{ m})^2 \cdot \pi} \end{aligned}$$

### Exercise E2 Temperature-dependent Resistance

**(written test, approx. 6 % of a 60-minute written test, WS2022)**

2. A refrigerator exhibits a temperature coefficient of resistance in a refrigeration system. The refrigerator has a resistance of  $10 \text{ k}\Omega$  at  $25^\circ\text{C}$ . Its temperature coefficients are:  $\alpha = 0.01 \text{ K}^{-1}$  and  $\beta = 71 \cdot 10^{-6} \text{ K}^{-2}$ .

Result: The temperature inside the refrigeration system can reach down to  $-40^\circ\text{C}$ .

Calculate the resistance of the thermal sensor at  $-40^\circ\text{C}$ .

The power transfer resistor  $P$  is a part of the circuit and generates heat. Therefore, a solution is to increase the heat flow up the refrigeration system.

Therefore, with constant  $U$  and increasing  $R$  the power decreases. Ten times more resistance decreases the heat flow to one-tenth.

$$R = R_0 \cdot (1 + \alpha \cdot \Delta T + \beta \cdot \Delta T^2)$$

with  $\Delta T = T_{\text{end}} - T_{\text{start}}$

$$R = 10 \text{ k}\Omega \cdot \left(1 + 0.01 \text{ K}^{-1} \cdot (-40^\circ\text{C} - 25^\circ\text{C}) + 71 \cdot 10^{-6} \text{ K}^{-2} \cdot (-40^\circ\text{C} - 25^\circ\text{C})^2\right)$$

**Exercise E2 Temperature-dependent Resistance**

**(written test, approx. 6 % of a 60-minute written test, WS2022)**

2. A refrigerator exhibits a temperature coefficient of resistance in a refrigeration system. The refrigerator has a resistance of  $10 \text{ k}\Omega$  at  $25^\circ\text{C}$ . Its temperature coefficients are:  $\alpha = 0.01 \text{ K}^{-1}$  and  $\beta = 71 \cdot 10^{-6} \text{ K}^{-2}$ .

Result: The temperature inside the refrigeration system can reach down to  $-40^\circ\text{C}$ .

Calculate the resistance of the thermal sensor at  $-40^\circ\text{C}$ .

The power transfer resistor  $P$  is a part of the circuit and generates heat. Therefore, a solution is to increase the heat flow up the refrigeration system.

Therefore, with constant  $U$  and increasing  $R$  the power decreases. Ten times more resistance decreases the heat flow to one-tenth.

$$R = R_0 \cdot (1 + \alpha \cdot \Delta T + \beta \cdot \Delta T^2)$$

with  $\Delta T = T_{\text{end}} - T_{\text{start}}$

$$R = 10 \text{ k}\Omega \cdot \left(1 + 0.01 \text{ K}^{-1} \cdot (-40^\circ\text{C} - 25^\circ\text{C}) + 71 \cdot 10^{-6} \text{ K}^{-2} \cdot (-40^\circ\text{C} - 25^\circ\text{C})^2\right)$$

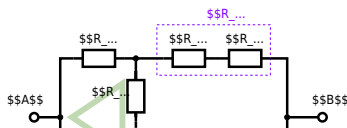
**Exercise E3 Pure Resistor Network Simplification**  
**(written test, approx. 13 % of a 60-minute written test, WS2022)**

The following shall be solved at once, the result is given.  $R_{eq}$  between  $A$  and  $B$ .

Solution

$$R_{eq} = 132.8 \Omega$$

Now a wye-delta transformation is necessary.



Since  $R_2 = R_3$  and based on the equations for the transformation, the transformed  $R_Y$  is given as:

$$R_Y = \frac{R_2 \cdot R_2}{R_2 + R_2 + R_2} = \frac{(100 \Omega)^2}{3 \cdot 100 \Omega} = \frac{1}{3} \cdot 100 \Omega = 33.33 \Omega$$

The equivalent resistor is given by a parallel configuration of resistors in series:

$$R_{eq} = R_Y + (R_Y + R_1 + R_1) \parallel (R_Y + R_2) \parallel (R_Y + R_2) \parallel (R_Y + R_2) \parallel (R_Y + R_2)$$

.. The switch shall now be open. Calculate the equivalent resistance  $R_{eq}$  between  $A$  and  $B$ .

Solution



The equivalent resistor is given by a parallel configuration of resistors in series:

$$R_{\text{eq}} = (R_2 + R_1 + R_1) \parallel (R_2 + R_2) \parallel R_{\text{eq}} = (100 \sim\Omega + 200 \sim\Omega + 200 \sim\Omega) \parallel (100 \sim\Omega + 100 \sim\Omega) \parallel R_{\text{eq}} = (500 \sim\Omega) \parallel (200 \sim\Omega) \parallel R_{\text{eq}} = \frac{500 \sim\Omega \cdot 200 \sim\Omega}{500 \sim\Omega + 200 \sim\Omega}$$

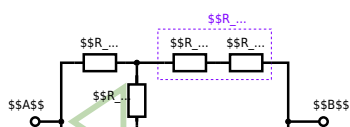
**Exercise E1 Pure Resistor Network Simplification**  
**(written test, approx. 13 % of a 60-minute written test, WS2022)**

The following shall be solved with  $R_1 = 200 \Omega$ ,  $R_2 = R_3 = 100 \Omega$  and the source  $B = 15 \text{ V}$ .  
 Result given:  $R_{\text{eq}} = 132.8 \Omega$ .

Solution

$$R_{\text{eq}} = 132.8 \Omega$$

Now a wye-delta transformation is necessary.



Since  $R_2=R_3$  and based on the equations for the transformation, the transformed  $R_Y$  is given as: 
$$R_Y = \frac{R_2 \cdot R_2}{R_2 + R_2 + R_2} = \frac{(100 \Omega)^2}{3 \cdot 100 \Omega} = \frac{1}{3} \cdot 100 \Omega = 33.33 \Omega$$

The equivalent resistor is given by a parallel configuration of resistors in series: 
$$R_{eq} = R_Y + (R_Y + R_1 + R_1) \parallel (R_Y + R_2) \parallel R_{eq} = 33.33 \Omega + (33.33 \Omega + 400 \Omega) \parallel (33.33 \Omega + 100 \Omega)$$

1. The switch shall now be open. Calculate the equivalent resistance  $R_{eq}$  between A and B.

Solution



The equivalent resistor is given by a parallel configuration of resistors in series:

$$R_{\text{eq}} = (R_2 + R_1 + R_{-1}) \parallel (R_2 + R_2) \parallel R_{\text{eq}} = (100 \Omega + 200 \Omega + 200 \Omega) \parallel (100 \Omega + 100 \Omega) \parallel R_{\text{eq}} = (500 \Omega) \parallel (200 \Omega) \parallel R_{\text{eq}} = \frac{500 \Omega \cdot 200 \Omega}{500 \Omega + 200 \Omega} \parallel$$

**Exercise E1 Equivalent linear Source  
(written test, approx. 14 % of a 60-minute written test, WS2022)**

The circuit in the following has to be simplified.  
Result

$$U_{\text{s}} = U_{\text{AB}} = 4.5 \text{ V} \quad R_{\text{i}} = R_{\text{AB}} = 6 \Omega$$



Calculate the internal resistance  $R_i$  and the source voltage  $U_s$  of an equivalent linear voltage source on the connectors  $A$  and  $B$ .  $R_1=5.0 \Omega$ ,  $U_2=6.0 \text{ V}$ ,  $R_3=10 \Omega$ ,  $I_4=4.2 \text{ A}$ ,  $R_5=10 \Omega$ ,  $R_6=7.5 \Omega$ ,  $R_7=15 \Omega$ . Use equivalent sources in order to simplify the circuit!

Solution

The best thing is to re-think the wiring like rubber bands and adjust them:



The linear voltage source of  $U_2$  and  $R_1$  can be transformed into a current source  $I_2 = \frac{U_2}{R_1}$  and  $R_1$ :



Now a lot of them can be combined. The resistors  $R_1$ ,  $R_3$ ,  $R_5$  are in parallel, like also  $I_2$  and  $I_4$ :

$$R_{135} = R_1 || R_3 || R_5$$

$$I_{24} = I_2 - I_4 = \frac{U_{24}}{R_1} - I_4$$

The resulting circuit can again be transformed:



Here, the  $U_{24}$  is calculated by  $I_{24}$  as the following:

$$U_{24} = I_{24} \cdot R_{67}$$

$$U_{24} = U_2 \cdot \frac{R_7}{R_6 + R_7 + R_1 || R_3 || R_5} - I_4 \cdot R_1 || R_3 || R_5$$

On the right side of the last circuit, there is a voltage divider given by  $R_{135}$ ,  $R_6$ , and  $R_7$ .

Therefore the voltage between  $A$  and  $B$  is given as:

$$U_{AB} = U_{24} \cdot \frac{R_7}{R_6 + R_7 + R_1 || R_3 || R_5} - I_4 \cdot \frac{R_7 \cdot R_1 || R_3 || R_5}{R_6 + R_7 + R_1 || R_3 || R_5}$$

For the internal resistance  $R_i$  the ideal voltage source is substituted by its resistance ( $=0\Omega$ , so a short-circuit):

$$R_{AB} = R_7 || (R_6 + R_1 || R_3 || R_5)$$

with  $R_1 || R_3 || R_5 = 5\Omega || 10\Omega || 10\Omega = 5\Omega || 5\Omega = 2.5\Omega$ :

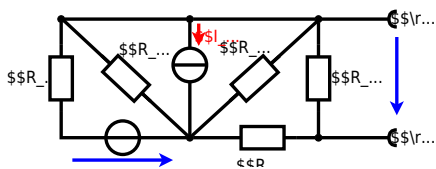
$$U_{AB} = \frac{6.0\text{V}}{5.0\Omega} - 4.2\Omega \cdot \frac{15\Omega \cdot 2.5\Omega}{7.5\Omega + 15\Omega + 2.5\Omega}$$

$$R_{AB} = 15\Omega || (7.5\Omega + 2.5\Omega)$$

### Exercise E3 Equivalent linear Source (written test, approx. 14 % of a 60-minute written test, WS2022)

The circuit in the following has to be simplified.  
Result

$$U_s = U_{AB} = 4.5\text{V} \quad R_i = R_{AB} = 6\Omega$$



Calculate the internal resistance  $R_i$  and the source voltage  $U_s$  of an equivalent linear voltage source on the connectors  $A$  and  $B$ .  $R_1=5.0 \Omega$ ,  $U_2=6.0 \text{ V}$ ,  $R_3=10 \Omega$ ,  $I_4=4.2 \text{ A}$ ,  $R_5=10 \Omega$ ,  $R_6=7.5 \Omega$ ,  $R_7=15 \Omega$ . Use equivalent sources in order to simplify the circuit!

### Solution

The best thing is to re-think the wiring like rubber bands and adjust them:



The linear voltage source of  $U_2$  and  $R_1$  can be transformed into a current source  $I_2 = \frac{U_2}{R_1}$  and  $R_1$ :



Now a lot of them can be combined. The resistors  $R_1$ ,  $R_3$ ,  $R_5$  are in parallel, like also  $I_2$  and  $I_4$ :

$$R_{135} = R_1 || R_3 || R_5$$

$$I_{24} = I_2 - I_4 = \frac{U_{24}}{R_1} - I_4$$

The resulting circuit can again be transformed:



Here, the  $U_{24}$  is calculated by  $I_{24}$  as the following:

$$U_{24}$$

$$U_{AB} = U_{24} \cdot \frac{R_7}{R_6 + R_7 + R_1 || R_3 || R_5} - I_4 \cdot R_1 || R_3 || R_5$$

On the right side of the last circuit, there is a voltage divider given by  $R_{135}$ ,  $R_6$ , and  $R_7$ .

Therefore the voltage between  $A$  and  $B$  is given as:

$$U_{AB} = U_{24} \cdot \frac{R_7}{R_6 + R_7 + R_1 || R_3 || R_5} - (U_2 \over R_1 - I_4) \cdot \frac{R_7 \cdot R_1 || R_3 || R_5}{R_6 + R_7 + R_1 || R_3 || R_5}$$

For the internal resistance  $R_i$  the ideal voltage source is substituted by its resistance ( $=0 \Omega$ , so a short-circuit):

$$R_{AB} = R_7 || (R_6 + R_1 || R_3 || R_5)$$

with  $R_1 || R_3 || R_5 = 5 \Omega || 10 \Omega || 10 \Omega = 5 \Omega || 5 \Omega = 2.5 \Omega$ :

$$U_{AB} = \frac{6.0 \text{ V}}{5.0 \Omega} - 4.2 \Omega \cdot \frac{15 \Omega \cdot 2.5 \Omega}{7.5 \Omega + 15 \Omega + 2.5 \Omega}$$

$$R_{AB} = 15 \Omega || (7.5 \Omega + 2.5 \Omega)$$

**Exercise E4 Charging Capacitors**  
**(written test, approx. 16 % of a 60-minute written test, WS2022)**

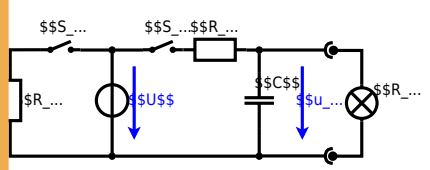
The circuit below is a battery with an internal resistance of  $R_1 = 5 \Omega$  and a charging capacitor  $C = 2 \mu\text{F}$  connected in parallel with a switch  $S_1$ . The voltage across the capacitor is again  $0 \text{ V}$  at the moment  $t_0 = 0 \text{ s}$  when the switch  $S_1$  is closed. Calculate the voltage  $u_c(t_2)$  across the capacitor at  $t_2 = 1 \text{ ms}$  after closing the switch.

**Solution:** To solve this, first create an equivalent linear voltage source from  $U$ ,  $R_1$ , and  $R_2$ .

The ideal voltage source  $U_{eq}$  is given by:

$$U_{eq} = \frac{U \cdot R_2}{R_1 + R_2} = \frac{12 \text{ V} \cdot 2 \Omega}{5 \Omega + 2 \Omega} = 2 \text{ V}$$

On an alternative view, one can try to create an equivalent linear voltage source again. Then, the internal resistance is given by substituting the ideal voltage source is again short-circuiting  $R_2$ .



The circuit contains a voltage source  $U=12 \text{ V}$ , a switch  $S_1$ , a resistor of  $R_1=20 \text{ }\Omega$  and a capacitor of  $C=100 \text{ }\mu\text{F}$ . The switch  $S_2$  to an additional consumer  $R_2$  will be considered to be open for the first task. At the moment  $t_0=0 \text{ s}$  the switch  $S_1$  is closed, the voltage across the capacitor is  $u_c(t_0)=0 \text{ V}$ .



First do not consider the light bulb - it is not connected to the RC circuit. Calculate the point of time  $t_1$  when  $u_c(t_1)=0.5 \cdot U$ .

Solution



So, here only  $R_1$  and  $C$  gives the time constant:  $\tau = R_1 \cdot C$

The following formula describes the time course of  $u_c(t)$  which has to be  $u_c(t_1)=0.5 \cdot U$ :  

$$u_c(t) = U \cdot (1 - e^{-t/\tau}) = 0.5 \cdot U$$
 It has to be rearranged to  $(1 - e^{-t/\tau}) = 0.5$ .  
 An equivalent linear voltage source can be given with  $U_s = U \cdot \frac{R_B}{R_1 + R_B}$  and  $R_i = R_1 \parallel R_B$  as seen in yellow.

Therefore, the voltage of the equivalent linear voltage source is:  $U_s = U \cdot \frac{R_B}{R_1 + R_B} = \frac{1}{2} \cdot U$ . The internal resistance is given by substituting the ideal voltage source with its resistance ( $R_i = 0 \text{ }\Omega$ , short-circuit).  

$$R_i = R_1 \parallel R_B = 10 \text{ }\Omega$$

$$u_c(t_2) = U_s \cdot (1 - e^{-t_2/(R_i \cdot C)}) = \frac{1}{2} \cdot U \cdot (1 - e^{-1 \text{ ms} / (10 \text{ }\Omega \cdot 100 \text{ }\mu\text{F})})$$

**Exercise E4 Charging Capacitors**  
 (written test, approx. 16 % of a 60-minute written test, WS2022)

The circuit (as shown in the figure) consists of a DC voltage source  $U=6 \text{ V}$ , a resistor  $R_1=20 \text{ }\Omega$ , a capacitor  $C=20 \text{ }\mu\text{F}$  and a light bulb  $R_B=20 \text{ }\Omega$ . The voltage across the capacitor is again  $0 \text{ V}$  at the moment  $t_0=0 \text{ s}$  when the switch  $S_1$  is closed. Calculate the voltage  $u_c(t_2)$  across the capacitor at  $t_2=1 \text{ ms}$  after closing the switch.

**Solution** To solve this, first create an equivalent linear voltage source from  $U$ ,  $R_1$ , and  $R_B$ .  

$$U_s = U \cdot \frac{R_B}{R_1 + R_B} = 3 \text{ V}$$

$$R_i = R_1 \parallel R_B = 10 \text{ }\Omega$$

Solution

The ideal voltage source is  $U = 12 \text{ V}$ . The internal resistance is  $R_1 = 20 \text{ }\Omega$ . The voltage across the capacitor is  $u_C$ . The voltage across the light bulb is  $u_B$ . The voltage across the resistor  $R_2$  is  $u_{R_2}$ . The voltage across the capacitor is  $u_C$ . The voltage across the light bulb is  $u_B$ . The voltage across the resistor  $R_2$  is  $u_{R_2}$ .

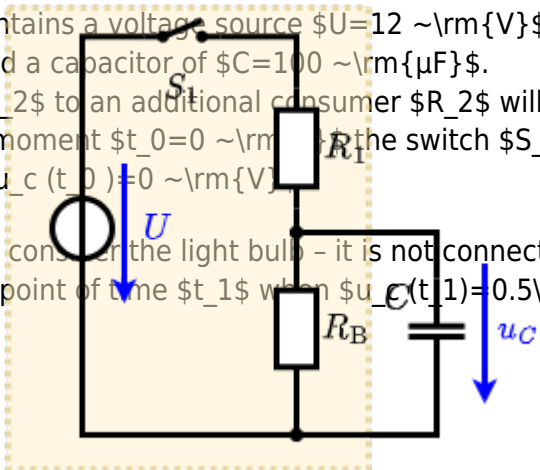
On an alternative view, one can try to create an equivalent linear voltage source again. Then, the internal resistance is given by substituting the ideal voltage source is again short-circuiting  $R_2$ .



The circuit contains a voltage source  $U = 12 \text{ V}$ , a switch  $S_1$ , a resistor of  $R_1 = 20 \text{ }\Omega$  and a capacitor of  $C = 100 \text{ }\mu\text{F}$ .

The switch  $S_2$  to an additional consumer  $R_2$  will be considered to be open for the first asks. At the moment  $t_0 = 0$  the switch  $S_1$  is closed, the voltage across the capacitor is  $u_C(t_0) = 0$ .

First do not consider the light bulb - it is not connected to the RC circuit. Calculate the point of time  $t_1$  when  $u_C(t_1) = 0.5 \cdot U$ .



Solution

An equivalent linear voltage source can be given with  $U$ ,  $R_1$ , and  $R_B$  as seen in yellow.

Therefore, the voltage of the equivalent linear voltage source is:  $U_s = U \cdot \frac{R_B}{R_1 + R_B} = \frac{1}{2} \cdot U$ . The internal resistance is given by substituting the ideal voltage source with its resistance ( $R = 0 \text{ }\Omega$ , short-circuit).  $R_i = R_1 \parallel R_B = 10 \text{ }\Omega$ .

$u_C(t_2) = U_s \cdot (1 - e^{-t_2/(R_i \cdot C)}) = \frac{1}{2} \cdot U \cdot (1 - e^{-t_2/(10 \text{ }\Omega \cdot 100 \text{ }\mu\text{F})})$   
So, here only  $R_1$  and  $C$  gives the time constant:  $\tau = R_1 \cdot C$

The following formula describes the time course of  $u_C(t)$  which has to be  $u_C(t_1) = 0.5 \cdot U$ :  $u_C(t) = U \cdot (1 - e^{-t/\tau}) = 0.5 \cdot U$ . It has to be rearranged to  $(1 - e^{-t/\tau}) = 0.5 \implies e^{-t/\tau} = 0.5 \implies t/\tau = \ln(0.5) \implies t = \tau \cdot \ln(0.5) = R_1 \cdot C \cdot \ln(0.5)$

### Exercise E5 Analyzing complex Impedances (written test, approx. 14 % of a 60-minute written test, WS2022)

2. Given that the phasor voltage source  $\underline{U} = 50 \angle 0^\circ$  V, all impedances are in  $\Omega$  and the components ( $R$  and  $X_L$ ) shall be given.

After analysis, the full width dimensioned complex impedance can be extracted and the phase in phase with the voltage  $\varphi$  can be determined.

Solution  
.. Calculation of physical values of the two components.  
Solution 
$$R = 0.24 \Omega \quad X_L = 4.68 \Omega$$

Solution  
$$\underline{I} = \frac{\underline{U}}{\underline{Z}} \quad \text{with } \underline{Z} = R + jX_L = 0.24 + j4.68 \Omega$$
  
The current  $I$  is the voltage  $U$  divided by the impedance  $Z$ .  
The resulting impedance  $Z$  is the sum of the real and imaginary parts.  
Therefore, the component  $R$  is the real part and  $X_L$  is the imaginary part.  
Impedance  $Z = R + jX_L = 0.24 + j4.68 \Omega$   
$$\underline{I} = \frac{50 \angle 0^\circ}{0.24 + j4.68} = \frac{50}{\sqrt{0.24^2 + 4.68^2}} \angle -\arctan\left(\frac{4.68}{0.24}\right)$$
  
The magnitude of the current is  $I = \frac{50}{\sqrt{0.24^2 + 4.68^2}} \approx 10.5$  A.  
The phase of the current is  $\varphi = -\arctan\left(\frac{4.68}{0.24}\right) \approx -87.06^\circ$ .  
With the complex part (complex value)  $\underline{I} = 10.5 \angle -87.06^\circ$  A.  
$$\varphi = \arctan\left(\frac{\text{Im}(\underline{I})}{\text{Re}(\underline{I})}\right) = \arctan\left(\frac{-4.68}{0.24}\right) \approx -87.06^\circ$$

### Exercise E5 Analyzing complex Impedances (written test, approx. 14 % of a 60-minute written test, WS2022)

2. Given that the phasor voltage source  $\underline{U} = 50 \angle 0^\circ$  V, all impedances are in  $\Omega$  and the components ( $R$  and  $X_L$ ) shall be given.

After analysis, the full width dimensioned complex impedance can be extracted and the phase in phase with the voltage  $\varphi$  can be determined.

Solution  
.. Calculation of physical values of the two components.  
Solution 
$$R = 0.24 \Omega \quad X_L = 4.68 \Omega$$

Solution  
$$\underline{I} = \frac{\underline{U}}{\underline{Z}} \quad \text{with } \underline{Z} = R + jX_L = 0.24 + j4.68 \Omega$$
  
The current  $I$  is the voltage  $U$  divided by the impedance  $Z$ .  
The resulting impedance  $Z$  is the sum of the real and imaginary parts.  
Therefore, the component  $R$  is the real part and  $X_L$  is the imaginary part.  
Impedance  $Z = R + jX_L = 0.24 + j4.68 \Omega$   
$$\underline{I} = \frac{50 \angle 0^\circ}{0.24 + j4.68} = \frac{50}{\sqrt{0.24^2 + 4.68^2}} \angle -\arctan\left(\frac{4.68}{0.24}\right)$$
  
The magnitude of the current is  $I = \frac{50}{\sqrt{0.24^2 + 4.68^2}} \approx 10.5$  A.  
The phase of the current is  $\varphi = -\arctan\left(\frac{4.68}{0.24}\right) \approx -87.06^\circ$ .  
With the complex part (complex value)  $\underline{I} = 10.5 \angle -87.06^\circ$  A.  
$$\varphi = \arctan\left(\frac{\text{Im}(\underline{I})}{\text{Re}(\underline{I})}\right) = \arctan\left(\frac{-4.68}{0.24}\right) \approx -87.06^\circ$$

The absolute value of the impedance is  $|Z| = \sqrt{R^2 + (X_L - X_C)^2}$  and the phase angle is  $\phi = \arctan\left(\frac{X_L - X_C}{R}\right)$ .  
 With the complex part comes the physical value:  $X_L = \omega L$  and  $X_C = \frac{1}{\omega C}$ .  
 The phase  $\phi$  is  $\phi = \arctan\left(\frac{X_L - X_C}{R}\right) = \arctan\left(\frac{\omega L - \frac{1}{\omega C}}{R}\right)$ .

**Exercise E6 Impedances at different Frequencies**  
 (written test, approx. 18 % of a 60-minute written test, WS2022)

At a AC circuit with three resistors  $R_1 = 10 \Omega$ ,  $R_2 = 40 \Omega$  and  $R_3 = 30 \Omega$  in a series circuit. A capacitor  $C = 40 \text{ nF}$  is connected in parallel with  $R_2$ . The total impedance  $Z$  is  $10 \Omega$ .  
 Result:  $R_1 = 10 \Omega$ ,  $R_2 = 40 \Omega$ ,  $R_3 = 30 \Omega$ ,  $C = 40 \text{ nF}$ .  
 A resistor  $R_1$  shall have the same absolute value of the impedance as a capacitor  $C_1 = 40 \text{ nF}$  at  $f_1 = 4 \text{ MHz}$ .

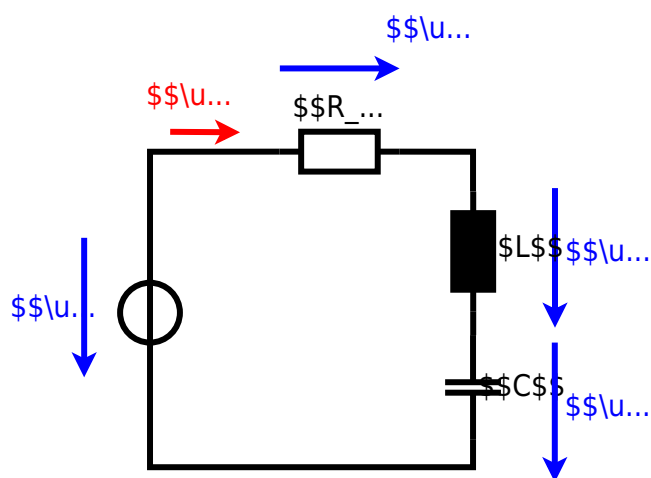
Solution  
 Solution  $R_1 = 10 \Omega$   
 Solution  $R_2 = 10 \Omega$

A series circuit means that the current is constant on every component.  
 The equivalent impedance for  $R_2$  and  $C_1$  combined is given by  $Z_{2C} = \frac{R_2 \cdot X_C}{R_2 + X_C}$ .  
 Parallel circuit means that the voltage is the same on  $R_2$  and  $C_1$ .  
 The total impedance  $Z$  is  $Z = R_1 + Z_{2C} + R_3$ .  
 The resulting current of the parallel circuit is given as:  $I_{2C} = \frac{U}{Z_{2C}}$ .  
 This can be simplified to  $I_{2C} = \frac{U}{\frac{R_2 \cdot X_C}{R_2 + X_C}} = \frac{U \cdot (R_2 + X_C)}{R_2 \cdot X_C}$ .  
 Back to the first formula:  $R_3 \cdot I_{2C} = X_C \cdot I_{2C} \cdot \frac{R_2 + X_C}{R_2 \cdot X_C}$ .

**Exercise E6 Impedances at different Frequencies**  
 (written test, approx. 18 % of a 60-minute written test, WS2022)

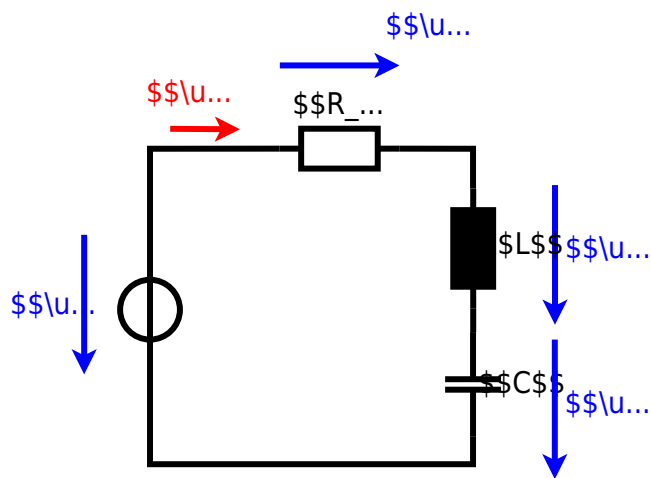


□□□□□□□□□□ 10510...









From:

<https://wiki.mexle.org/> - **MEXLE Wiki**

Permanent link:

[https://wiki.mexle.org/electrical\\_engineering\\_1/ws2022\\_exam?rev=1680388117](https://wiki.mexle.org/electrical_engineering_1/ws2022_exam?rev=1680388117)

Last update: **2023/04/02 00:28**

