

# Photodiode as current source

## Student Group

First Name	Surname	Matrikel Nr.

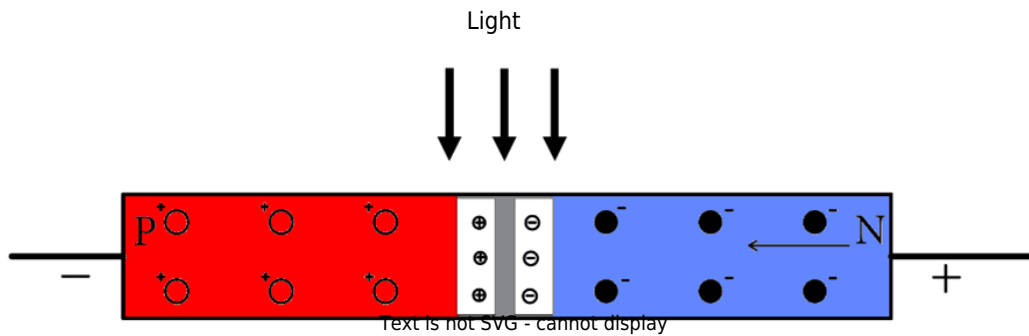
## Table of Contents

Photodiode as current source ..... 2

## Photodiode as current source

A photodiode is a special type of diode which, **in the absence of light**, exhibits a **current-voltage relationship** very similar to that of a standard diode (see the **dark current** characteristic in the **I-V diagram**).

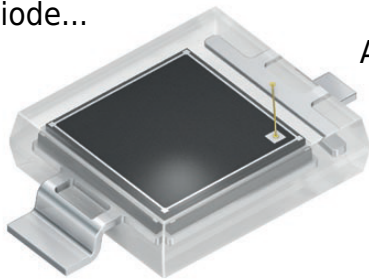
**When illuminated**, it generates additional electron-hole pairs within the crystal.



Photodiodes are often operated **in reverse bias, where** the charge carriers (electrons and holes) generated by the incident light cause an increased **reverse** current flow (**third quadrant** of the I-V diagram). The higher the light intensity, the greater the reverse current. **Forward bias operation** is also possible, where the photodiode behaves like a solar cell (**first quadrant** of the I-V diagram).

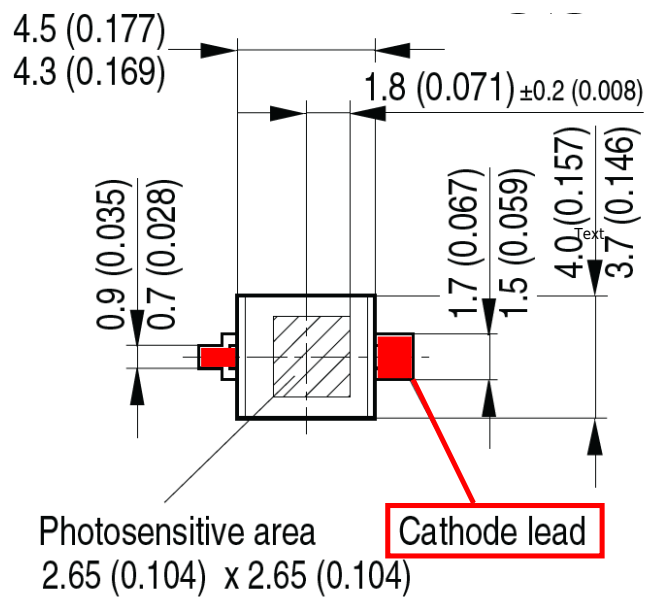
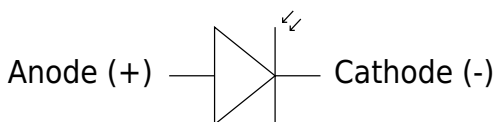
**Applications include** remote controls (IR range), galvanic isolation (optocouplers), light measurement, positioning, and light barriers.

Photodiode...



Anode

Catho...



Text is not SVG - cannot display

Fig. 2: Inverting Op-Amp: Photodiode BPW 34 S

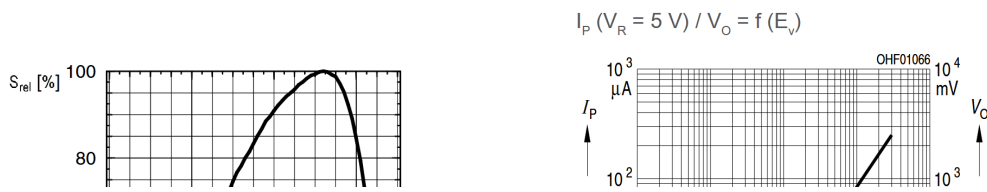


Fig. 3: Inverting Op-Amp: Diagramms of BPW 34 S

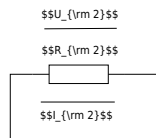


Fig. 4: Inverting Op-Amp: Photo Diode as current source

$$U_{DD} \approx 10\text{ V}, U_{SS} \approx -10\text{ V}$$

We are assuming a well-lit room with an illuminance of 300 lx, lit by a white LED. White light is a mixture of many wavelengths across the visible spectrum, roughly 380 to 780 nm. For a typical white LED, the spectrum usually comes from a blue LED chip with a peak around 450 nm, plus a broader phosphor emission that spreads across green, yellow, and red wavelengths. For an easier calculation, we take a mean value of 500 nm which is close to the peak value of the blue LED and 300 lx for the illumination. (500 nm is in reality a greenish light and not blue)

The graph in [figure 3](#) shows that the photodiode sensitivity at 500 nm is only 30%. The maximum current (100%) at 300 lx is 30  $\mu\text{A}$ .

We can now estimate the current we would expect from the photodiode at 300 lx:

$$I_1 = 30\ \mu\text{A} * 0.3 = 9\ \mu\text{A}$$

$$I_1 \approx 10\ \mu\text{A}$$

30% of 30  $\mu\text{A}$  is roughly 10  $\mu\text{A}$ .

**We will assume a current of 10  $\mu\text{A}$  at 300 lx for our calculations.**

Complete the arrows in the circuit diagram in [figure 4](#).

Calculate  $R_2$  so that  $U_{OUT} = 5\text{ V}$  at 300 lx. Take a resistor from the E6 series that is as close as possible to the calculated value.

Also enter the values for  $I_1$ ,  $I_2$ ,  $U_2$  and  $U_{OUT}$ .

$I_{\text{1}}$

$I_{\text{2}}$

$U_{\text{2}}$

$U_{\text{OUT}}$

$R_{\text{2}}$

What value would you expect for  $U_{\text{D}}$  in figure 4 and why?

$U_{\text{D}}$

$\{\text{rm .....}\}$

$\{\text{rm .....}\}$

$\{\text{rm .....}\}$

$\{\text{rm .....}\}$

$\{\text{rm .....}\}$

$\{\text{rm .....}\}$

What value would you expect for  $U_{\text{D}}$  at 300 lx when the photodiode is not connected to the Op-Amp or any other electronic component (open-circuit voltage) and why?

$U_{\text{D}} \approx$

$\text{mV}$  .....

$\text{mV}$  .....

$\text{mV}$  .....

$\text{mV}$  .....

$\text{mV}$  .....

$\text{mV}$  .....

Measure or calculate the values given in the table below.

Illumination	$U_{\text{OUT}}$ [mV]	$I_{\text{1}}$ [ $\mu\text{A}$ ]	$I_{\text{2}}$ [ $\mu\text{A}$ ]	$U_{\text{D}}$ [mV]	$U_{\text{D}}$ [mV]
dark...					
300 lx...		...			

Tab. 1: Photodiode measured and calculated values

From:

<https://wiki.mexle.org/> - **MEXLE Wiki**

Permanent link:

[https://wiki.mexle.org/lab05\\_en/inverting\\_op-amp\\_photo\\_diode\\_as\\_current\\_source?rev=1777446880](https://wiki.mexle.org/lab05_en/inverting_op-amp_photo_diode_as_current_source?rev=1777446880)

Last update: **2026/04/29 09:14**

