

Loop law

Student Group

First Name	Surname	Matrikel Nr.

Table of Contents

Mesh set 2
Set of nodes 3

Mesh set

In every closed circuit and every mesh of the network, the sum of all voltages is zero!
Set the voltage on the power supply to 12 V and measure this voltage precisely using a multimeter. Set up the measuring circuit shown in figure ##.

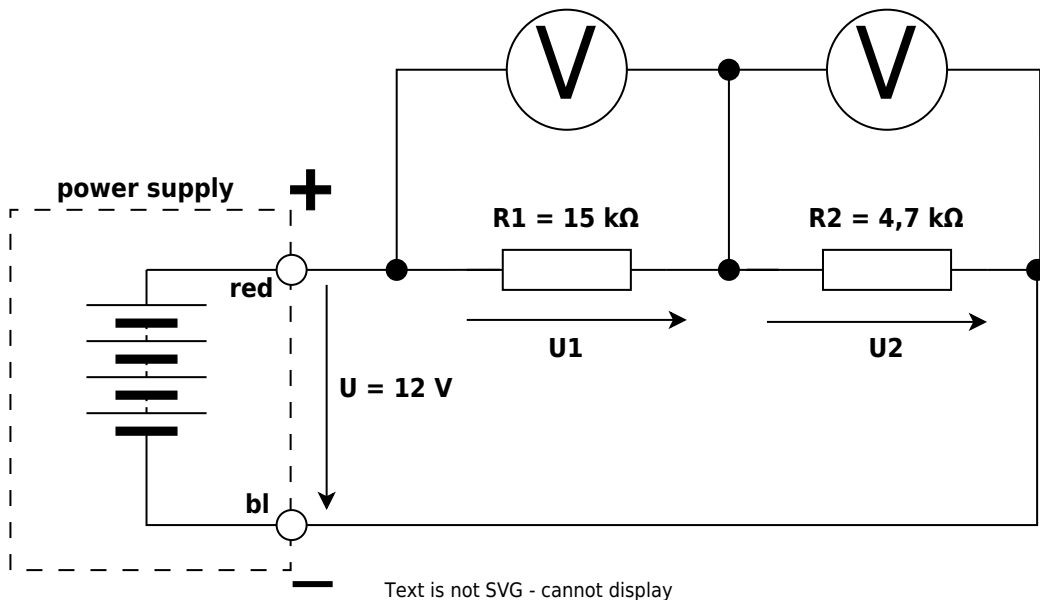


Fig. ##: Mesh-set

Add the voltage arrows and measure U , U_{1} und U_{2} :

U	U_{1}	U_{2}

Tab. ##: Mesh set voltage measurement

What is the mesh set here?

Check the formula with the measured values:

The resistors R_{1} and R_{2} connected in series form a voltage divider. What is the ratio between the voltages U_{1} and R_{2} ?

$$\frac{U_1}{U_2} =$$

Set of nodes

At each junction point, the sum of all incoming and outgoing currents is equal to zero!

Set the voltage on the power supply to 12 V and measure the voltage accurately with a multimeter. In the first step, set up the measuring circuit shown in figure ##:

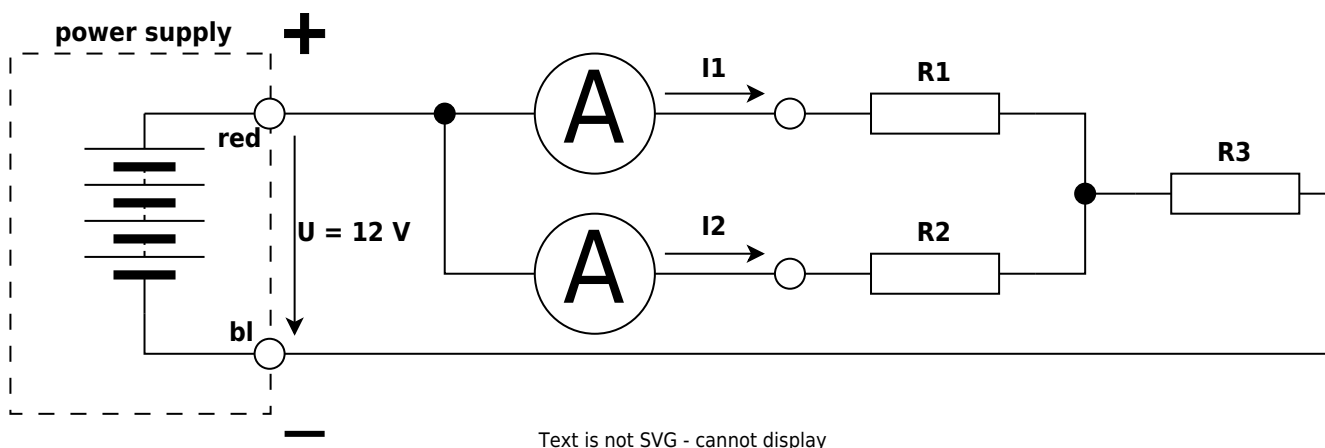
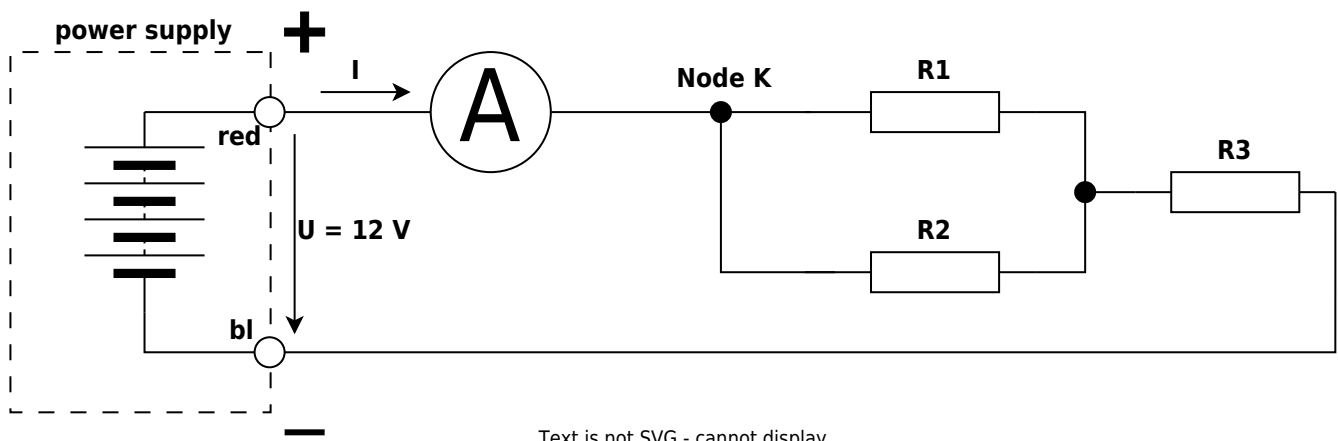


Fig. ##: Node-set circuit 1

Draw the arrows for the directions of currents I_{1} and I_{2} in figure ##. The DC current measurement range must be set on both multimeter using the rotary switch. Then measure currents I_{1} and I_{2} and enter the measured values in table ##.



Text is not SVG - cannot display

Fig. ##: Node-set circuit 2

What is the relationship between currents I_{R1} and I_{R2} ?

$$\frac{I_{\text{R1}}}{I_{\text{R2}}} =$$

Switch the power supply back on and measure the current I . Enter its value in [table ##](#).

I	I_{R1}	I_{R2}

Tab. ##: Node set current measurement

Determine the node set for node K and check its validity.

Using the measured values for resistors R_{1} , R_{2} , and R_{3} , calculate the total resistance R_{KP} :

Using the calculated value R_{KP} , check the measured value of the total current:
 $I = \frac{U}{R_{\text{KP}}} =$

From:

<https://wiki.mexle.org/> - MEXLE Wiki

Permanent link:

https://wiki.mexle.org/lab_electrical_engineering/1_resistors/mesh-set?rev=1773110574

Last update: **2026/03/10 03:42**

