

Experiment 6: Operational Amplifier II - Pulse Width Modulation

Student Group

First Name	Surname	Matrikel Nr.

Table of Contents

- Experiment 6: Operational Amplifier II - Pulse Width Modulation** 2
- Challenge description** 2
- Rectangular-to-Triangle Signal Conversion - Integrator** 2
 - Background Information* 3
 - Experimental Tasks* 4
- Triangle-to-Rectangular Conversion - Schmitt Trigger** 6
 - Background Information* 6
 - Experimental Tasks* 7
- Combination of Integrator and Schmitt Trigger - Oscillator** 11
 - Background Information* 11
 - Experimental Tasks* 12
- Combination of Integrator and Schmitt Trigger - Oscillator** 16
 - Background Information* 16
 - Experimental Tasks* 17
 - Test Questions* 19
- Duty Cycle Adjustment** 20
 - Background Information* 20
 - Experimental Tasks* 20
- LED Brightness Control using PWM** 25
 - Background Information* 25
 - Experimental Tasks* 25
 - Preparation* 26

Experiment 6: Operational Amplifier II - Pulse Width Modulation

- Circuits on the breadboard
- Integrator
- Non-inverting Schmitt trigger
- Triangle-square-wave generator
- Pulse-width modulation and control of a DC motor

Challenge description

Pulse-width modulation (PWM) is widely used in modern electronics to control the power delivered to electrical loads. Typical applications include LED brightness control and motor speed control.

In PWM, the voltage applied to a load is rapidly switched on and off. When PWM is used to control an LED, a sufficiently high switching frequency prevents the human eye from perceiving the individual switching events. Instead, only the average brightness is perceived.

The brightness of the LED is determined by the duty cycle of the rectangular signal, which is defined as the ratio of the on-time to the signal period.

A constant supply voltage is available for the experiment. This raises the following questions:

- How can a constant voltage be converted into a PWM signal?
- How can the duty cycle of this signal be adjusted to control the brightness of the LED?

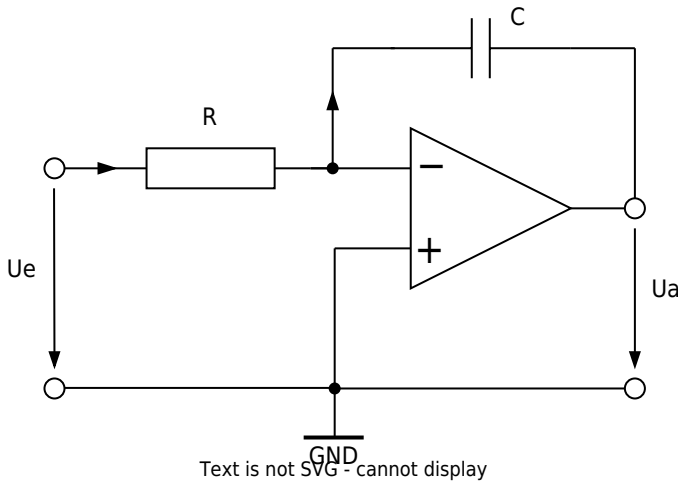
To answer these questions, two operational-amplifier circuits are investigated: the Schmitt trigger and the integrator. First, both circuits are analyzed separately. Afterwards, they are combined to form an oscillator that generates the required PWM signal. Finally, the circuit is modified to enable brightness control of the LED.

2026/06/17 10:55 · mexleadmin

Rectangular-to-Triangle Signal Conversion - Integrator

Background Information

The operation of an OPV in the linear operating range can be enforced by means of circuitry by feeding back the output signal, i.e., returning it to the inverting input (- input). In the circuit shown, the negative feedback is provided by a capacitor.



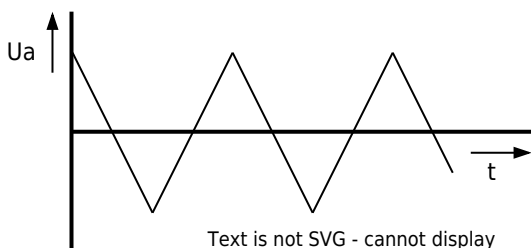
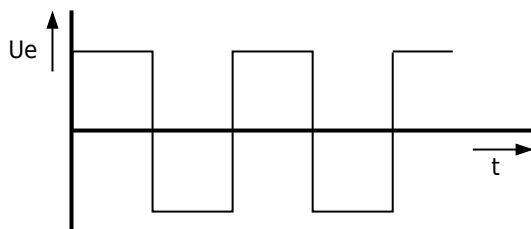
Analysis of the circuit:
Negative feedback

$$\rightarrow u_{\text{d}} = 0 \rightarrow i_R = \frac{u_{\text{e}}}{R}$$

$$i_R = i_C \text{ (because OPV input current } i_{\text{n}} = 0 \text{)}$$

$u_{\text{a}} = -u_{\text{C}} = -\frac{1}{C} \int i_{\text{C}} dt = -\frac{1}{RC} \int u_{\text{e}} dt$
The integrated input voltage appears at the output. The product of resistance and capacitance has the character of a time constant:

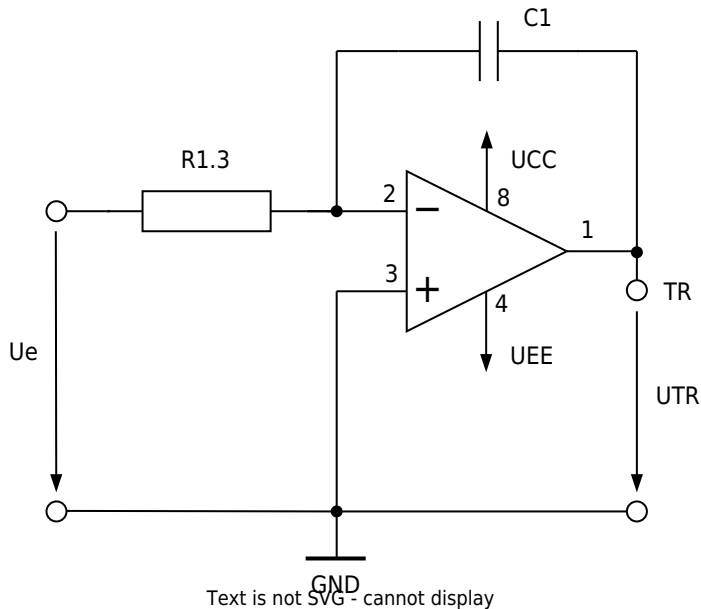
$$T_{\text{i}} = RC$$



The figure shows the output voltage of an integrator with a square wave voltage at the input. The output voltage at the start $u_{\mathrm{a}}(t=0)$ depends on the charge state of the capacitor when switched on.

Experimental Tasks

To analyze the behavior of the integrator, the following circuit is used:



Supply voltages (from power supply unit):

$$U_{CC} = +3 \sim V, U_{EE} = -3 \sim V$$

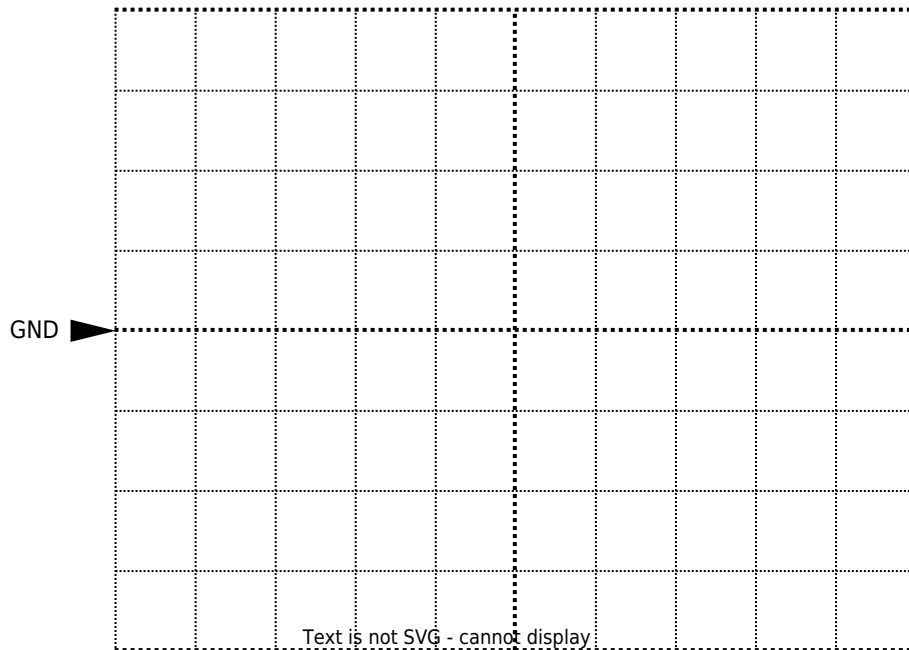
Values of the components used:

$$R_{1.3} = 10 \sim k\Omega, C_1 = 10 \sim nF$$

1. Calculate the time constant T_{i} of the integrator from the given values.
2. Assumption: the capacitor is initially uncharged. A voltage $u_{\mathrm{e}} = +3 \sim V$ is applied to the input.
How long does it take for the output voltage to reach $u_{\mathrm{Tr}} = -3 \sim V$? Document your calculation.

- 3. Roughly sketch the voltage curves that you expect at the TR output when you apply a bipolar square wave signal to the u_{e} input.

Output TR

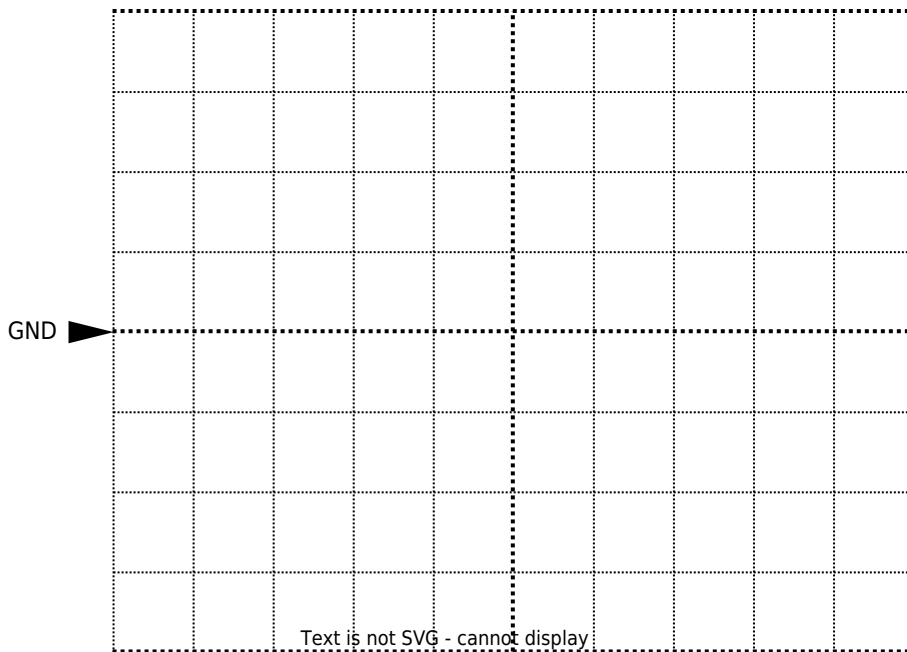


Channel 1: $\frac{\text{Volt}}{\text{Div}} =$

Time basis: $\frac{T}{\text{Div}} =$

- 4. Build the circuit on the MEXLE-board. Make sure that the jumper at the bottom of the op-amp is set to the left so that the op-amp is supplied with +/- 3V. Connect channel 1 on the oscilloscope to u_{e} and channel 2 to TR. Connect the function generator to the u_{e} input. Set to square wave (bipolar) with a frequency of 3kHz and a voltage of 3 V (amplitude). Switch on the power supply.

C1 = 10 nF, f = 3 kHz



Channel 1: $\frac{\text{Volt}}{\text{Div}} = \$$

Channel 2: $\frac{\text{Volt}}{\text{Div}} = \$$

Time basis: $\frac{T}{\text{Div}} = \$$

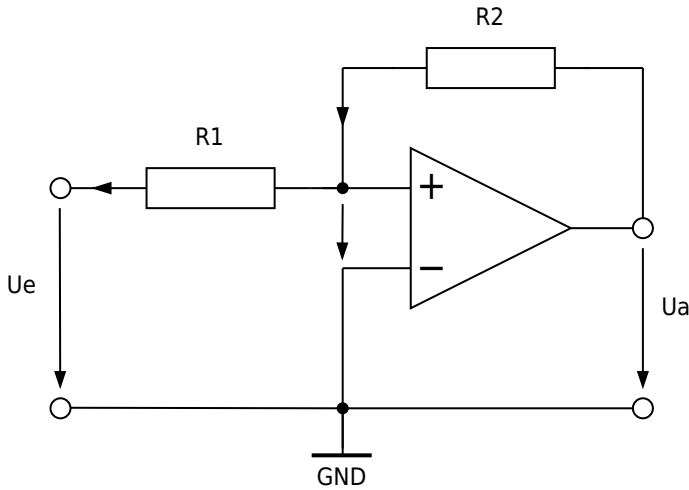
- 5. Compare your measurement with the calculation from part 2 and the forecast from part 3. Explain your result.

2026/06/17 11:04 · mexleadmin

Triangle-to-Rectangular Conversion - Schmitt Trigger

Background Information

The operation of an OPV in the saturation range can be enforced in the circuit by feeding back the output signal, i.e., returning it to the non-inverting input (+ input). In the circuit shown, the feedback is provided by resistor R_{2} .



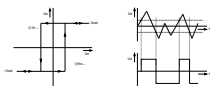
Text is not SVG - cannot display

The output voltage u_{a} can only take two values, either U_{sat} or $-U_{\mathrm{sat}}$. It switches between these two values when no voltage drops at the differential input of the OPV, ($u_{\mathrm{d}}=0$).

Then $i_{\mathrm{R2}}=\frac{u_{\mathrm{a}}}{R_{\mathrm{2}}}$ and $u_{\mathrm{e}}=-R_{\mathrm{1}} \cdot i_{\mathrm{R1}}$. Since the OPV input current is $i_{\mathrm{p}}=0$, the currents through the resistors must be equal, and the following relationship applies for the switching points:

$$u_{\mathrm{e}}=-\frac{R_{\mathrm{1}}}{R_{\mathrm{2}}}\cdot u_{\mathrm{a}}$$

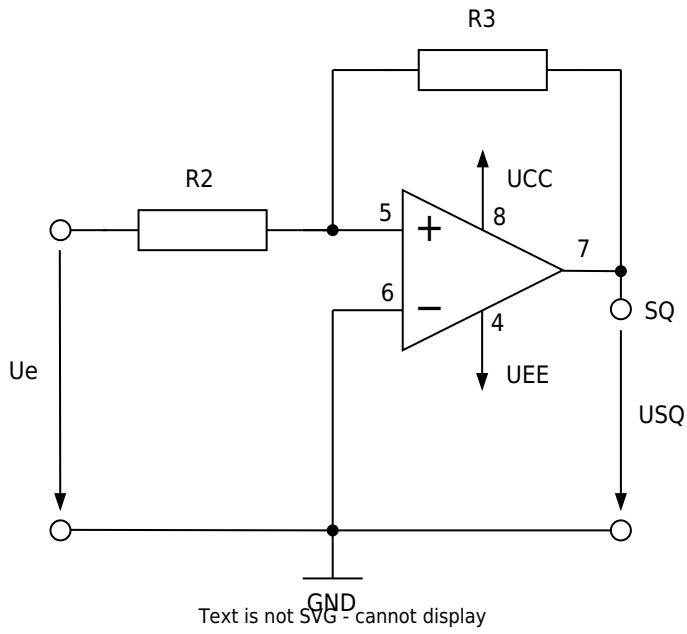
$$u_{\mathrm{a}}=\mp\frac{R_{\mathrm{1}}}{R_{\mathrm{2}}}\cdot U_{\mathrm{sat}}$$



The image shows the input/output characteristic curve of the circuit known as a “non-inverting Schmitt trigger.” The reaction to any input signal is shown on the right. The circuit only switches to U_{sat} , when the positive switching threshold at the input is reached. It only switches to $-U_{\mathrm{sat}}$, when the negative switching threshold at the input is reached.

Experimental Tasks

To analyze the behavior of the schmitt trigger, the following circuit is used:



Supply voltages (from power supply unit):

$U_{CC} = + 3V$, $U_{EE} = - 3V$

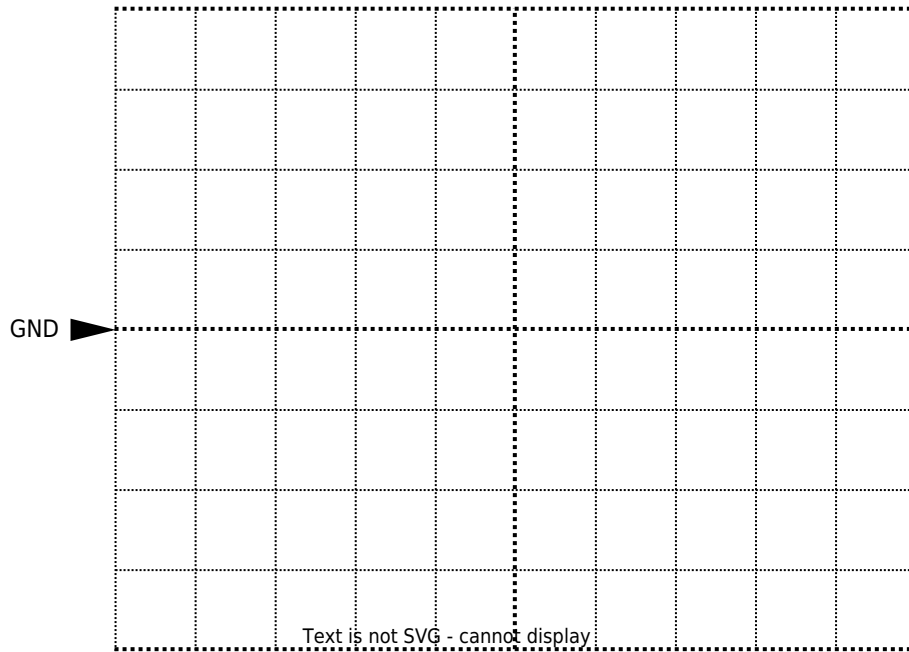
Values of the components used:

$R_2 = 20k\Omega$, $R_3 = 27k\Omega$

1. Calculate the switching thresholds using the given values.

- 2. Roughly sketch the voltage curves that you expect at the SQ output when you apply a triangular signal to Ue whose amplitude just reaches the switching points.

Output SQ

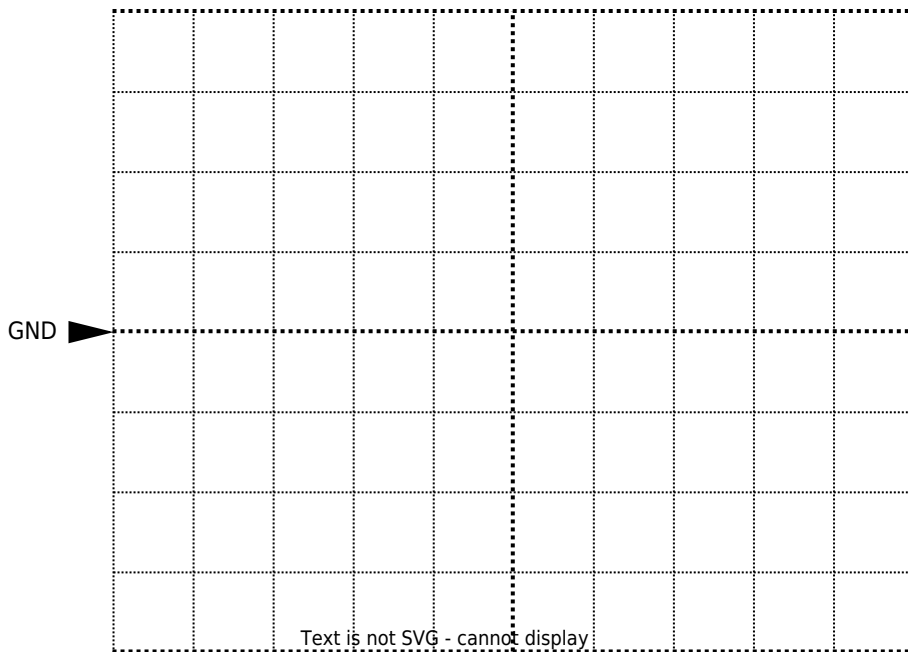


Channel 1: $\frac{\text{Volt}}{\text{Div}} = \$$

Time basis: $\frac{T}{\text{Div}} = \$$

- 3. Set up the Schmitt Trigger on the MEXLE-Board. Perform the following measurements on the Schmitt Trigger:
 - Connect channel 1 on the oscilloscope to U_e and channel 2 to SQ.
 - Connect the function generator to the Ue input. Set it to triangle with a frequency of 1kHz and a voltage of 3 V (amplitude).
 - Sketch the oscilloscope screen image.

Ue = 3 V (amplitude), f = 1 kHz



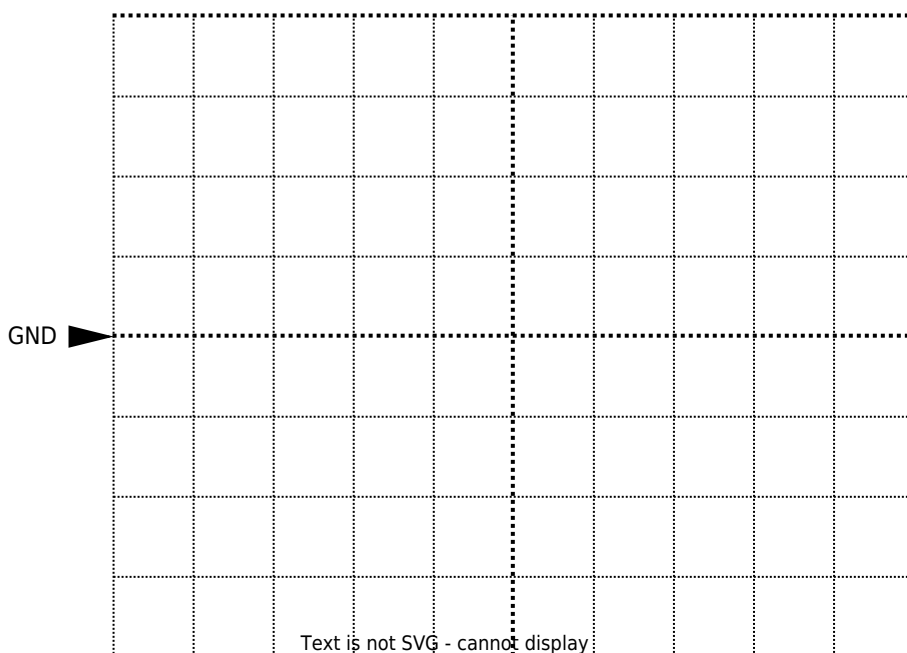
Channel 1: $\frac{\text{Volt}}{\text{Div}} = \$$

Channel 2: $\frac{\text{Volt}}{\text{Div}} = \$$

Time basis: $\frac{T}{\text{Div}} = \$$

- 1. Sketch the oscilloscope screen image you would expect for 1 V (amplitude).

Ue = 1 V (amplitude), f = 1 kHz



Channel 1: $\frac{\text{Volt}}{\text{Div}} = \$$

Channel 2: $\frac{\text{Volt}}{\text{Div}} = \$$

Time basis: $\frac{T}{\text{Div}} = \$$

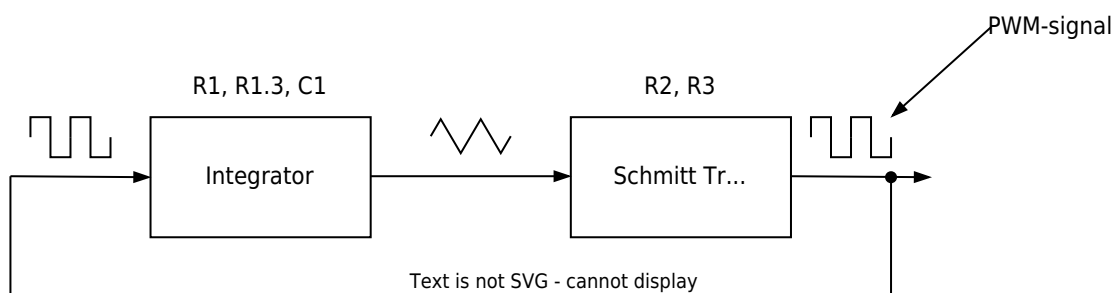
2. Compare your measurements with the calculation from sub-task 1 and the forecast
Explain the results.

2026/06/17 10:57 · mexleadadmin

Combination of Integrator and Schmitt Trigger - Oscillator

Background Information

The circuits previously analyzed individually are now connected to form a complete system. The integrator and the Schmitt trigger together form an oscillator. The output signal of the Schmitt trigger is fed back to the input of the integrator. Therefore, the output signal simultaneously acts as the input signal of the overall system.



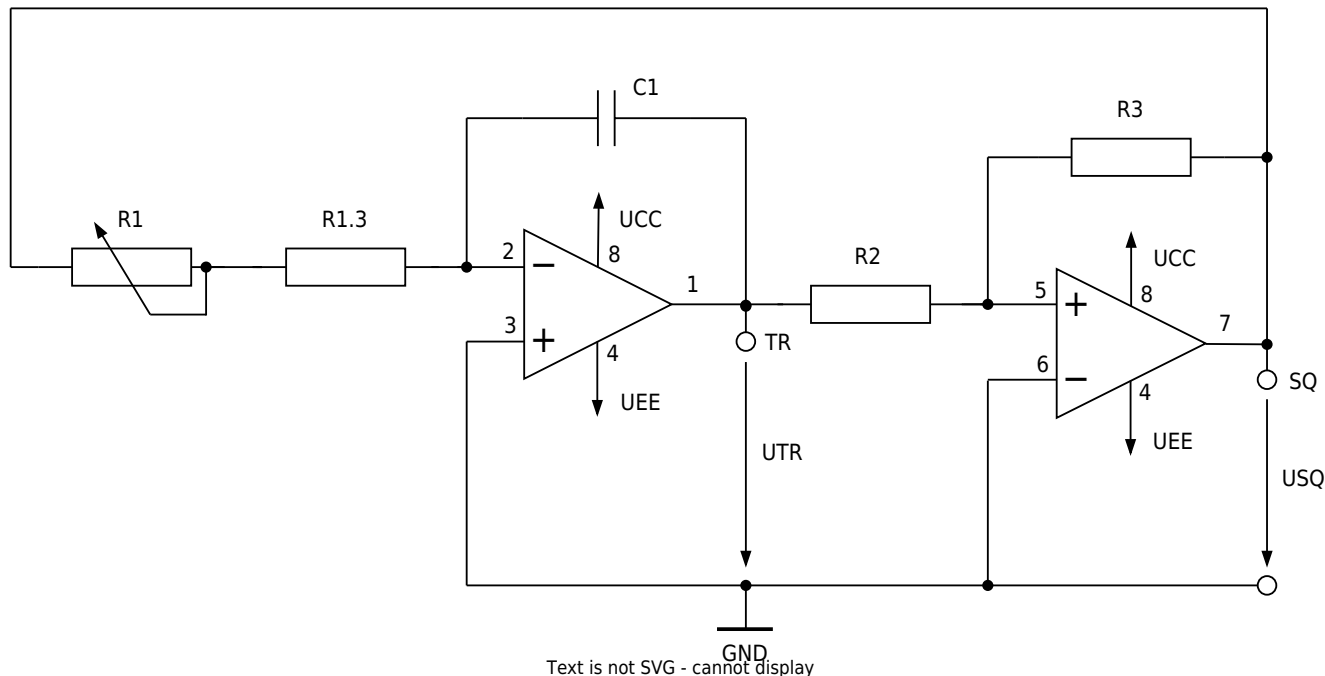
Due to this feedback, the circuit generates a periodic signal without requiring an external input signal, apart from the supply voltages of the operational amplifiers.

The Schmitt trigger generates a rectangular signal that is integrated into a triangular signal until one of the switching thresholds is reached. At this point, the output state changes and the process repeats continuously, producing a stable oscillation.

When the circuit is first powered on, the oscillator starts due to small disturbances such as noise, offset voltages of the operational amplifiers, or slight asymmetries in the circuit. These small deviations move the system away from the unstable equilibrium point and initiate the oscillation.

Experimental Tasks

To analyze the behavior of the oscillator (triangle-rectangle generator), the following circuit is used:



Text is not SVG - cannot display

Supply voltages (from power supply unit):

$U_{CC} = + 3V, U_{EE} = - 3V$

Values of the components used:

$R1 = 200\text{ k}\Omega, R1.3 = 10\text{ k}\Omega, R2 = 20\text{ k}\Omega, R3 = 27\text{ k}\Omega, C1 = 10\text{ nF}$

1. Build the circuit on the MEXLE-board. R1 is a 200 kΩ potentiometer. Set it to a value of 200 kΩ. Perform the following measurements:
 - Connect channel 1 of the oscilloscope to TR and channel 2 to SQ. Switch on the power supply.
 - Now try to generate a minimum and maximum frequency with your circuit by turning the potentiometer R1 to the left and right stops. Perform this experiment with two capacitance values: $C1=10\text{ nF}$ and $C1=1\text{ nF}$. Enter the measured frequency values in the following table.

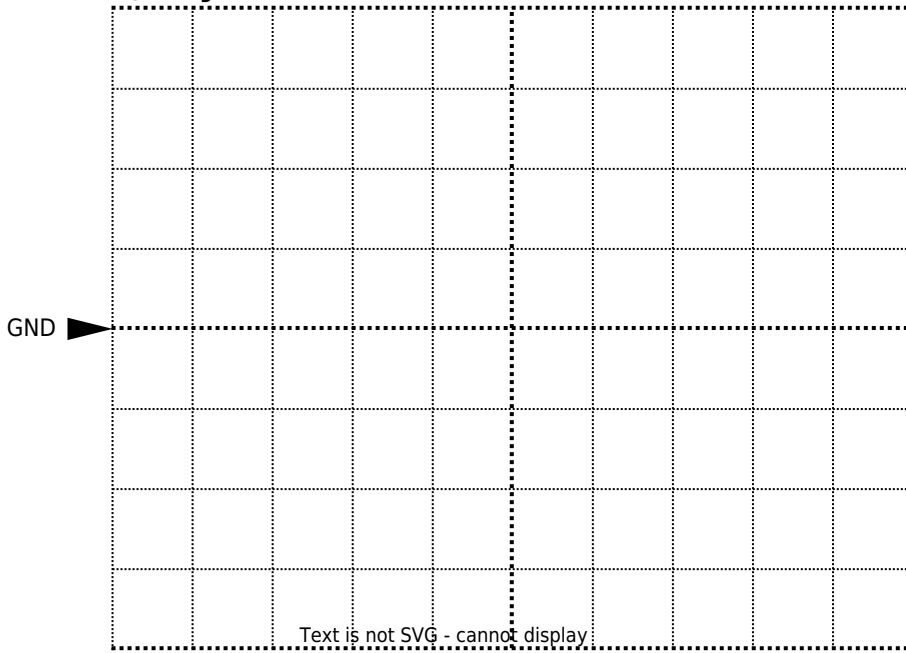
R1 kΩ...	C1 in nF	fmin in kHz	fmax kHz
200	10		
200	1		

2. Sketch the oscilloscope screen image at minimum and maximum frequency for the following capacitance values:

$C_1 = 10 \text{ nF}$ and $C_1 = 1 \text{ nF}$.

Label the lines with TR and SQ, respectively. Specify the oscilloscope settings you used.

$C_1 = 10 \text{ nF}, f = f_{\text{min}}$

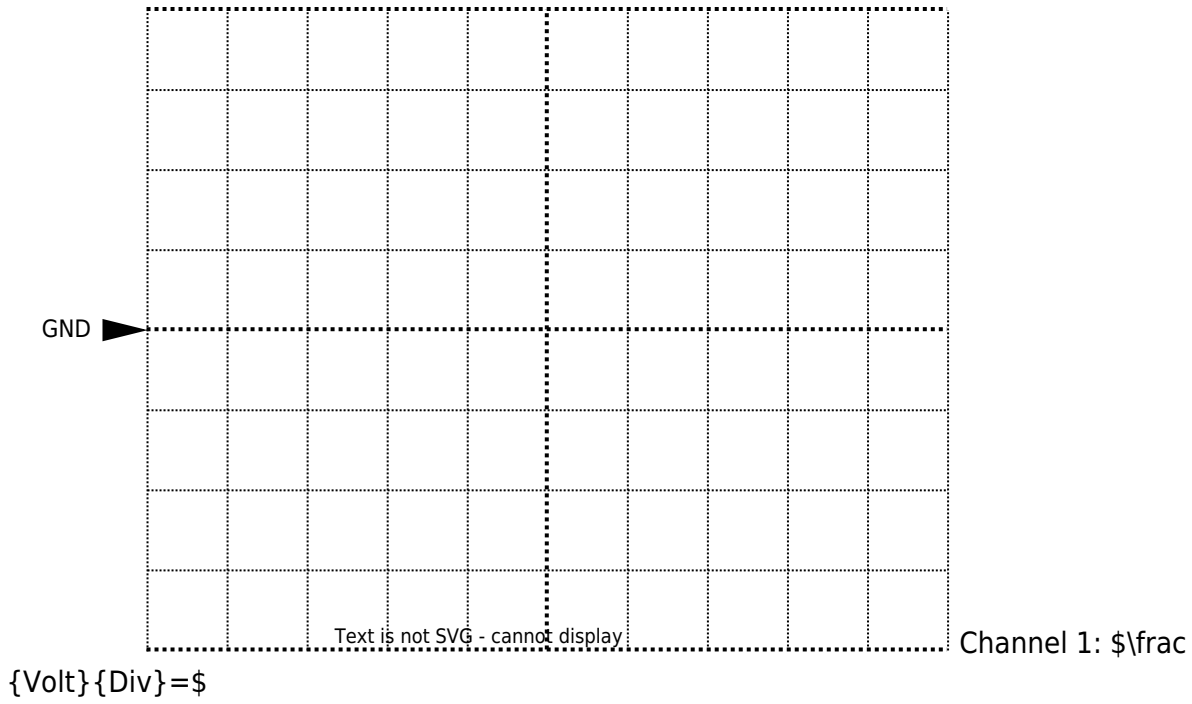


Channel 1: $\frac{\text{Volt}}{\text{Div}} = \$$

Channel 2: $\frac{\text{Volt}}{\text{Div}} = \$$

Time basis: $\frac{T}{\text{Div}} = \$$

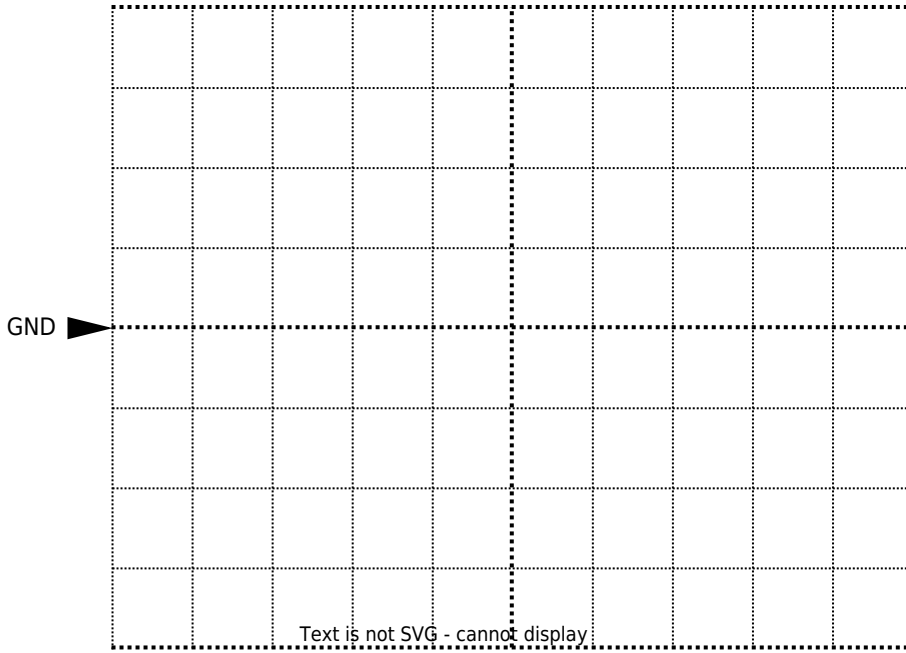
$C_1 = 10 \text{ nF}, f = f_{\text{max}}$



Channel 2: \frac {Volt}{Div}=\$

Time basis: \frac {T}{Div}=\$

C1 = 1 nF, f = fmin

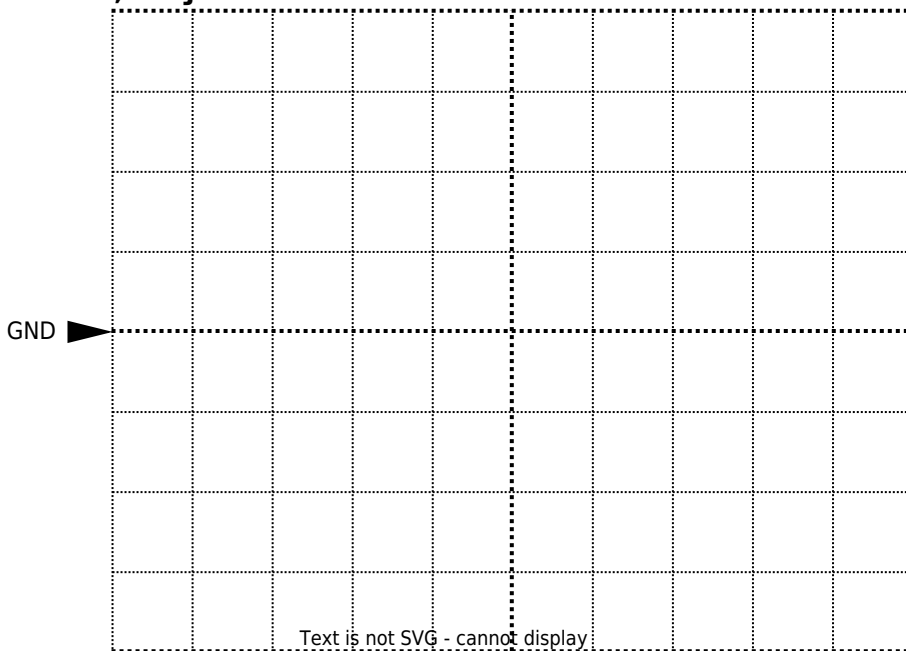


Channel 1: $\frac{\text{Volt}}{\text{Div}} = \$$

Channel 2: $\frac{\text{Volt}}{\text{Div}} = \$$

Time basis: $\frac{T}{\text{Div}} = \$$

C1 = 1 nF, f = fmax



Channel 1: $\frac{\text{Volt}}{\text{Div}} = \$$

Channel 2: $\frac{\text{Volt}}{\text{Div}} = \$$

Time basis: $\frac{T}{\text{Div}} = \$$

3. Explain how this circuit works in a few sentences.

4. Why is it useful to use R1 as a potentiometer to vary the frequency rather than R2 or R3?

2026/06/17 10:58 · mexleadmin

Combination of Integrator and Schmitt Trigger - Oscillator

Background Information

The circuits previously analyzed individually are now connected to form a complete system. The integrator and the Schmitt trigger together form an oscillator. The output signal of the Schmitt trigger is fed back to the input of the integrator. Therefore, the output signal simultaneously acts as

the input signal of the overall system.



Due to this feedback, the circuit generates a periodic signal without requiring an external input signal, apart from the supply voltages of the operational amplifiers.

The Schmitt trigger generates a rectangular signal that is integrated into a triangular signal until one of the switching thresholds is reached. At this point, the output state changes and the process repeats continuously, producing a stable oscillation.

When the circuit is first powered on, the oscillator starts due to small disturbances such as noise, offset voltages of the operational amplifiers, or slight asymmetries in the circuit. These small deviations move the system away from the unstable equilibrium point and initiate the oscillation.

Experimental Tasks

To analyze the behavior of the oscillator (triangle-rectangle generator), the following circuit is used:



Supply voltages (from power supply unit):

UCC = + 3V, UEE = - 3V

Values of the components used:

R1 = 200 kΩ, R1.3 = 10 kΩ, R2 = 20 kΩ, R3 = 27 kΩ, C1 = 10 nF

1. Build the circuit on the MEXLE-board. R1 is a 200 kΩ potentiometer. Set it to a value of 200 kΩ. Perform the following measurements:
 - Connect channel 1 of the oscilloscope to TR and channel 2 to SQ. Switch on the power supply.
 - Now try to generate a minimum and maximum frequency with your circuit by turning the

potentiometer R1 to the left and right stops. Perform this experiment with two capacitance values: $C_1=10\text{ nF}$ and $C_1=1\text{ nF}$. Enter the measured frequency values in the following table.



2. Sketch the oscilloscope screen image at minimum and maximum frequency for the following capacitance values:

$C_1=10\text{ nF}$ and $C_1=1\text{ nF}$.

Label the lines with TR and SQ, respectively. Specify the oscilloscope settings you used.

$C_1 = 10\text{ nF}, f = f_{\min}$



Channel 1: $\frac{\text{Volt}}{\text{Div}} = \$$

Channel 2: $\frac{\text{Volt}}{\text{Div}} = \$$

Time basis: $\frac{T}{\text{Div}} = \$$

$C_1 = 10\text{ nF}, f = f_{\max}$



Channel 1: $\frac{\text{Volt}}{\text{Div}} = \$$

Channel 2: $\frac{\text{Volt}}{\text{Div}} = \$$

Time basis: $\frac{T}{\text{Div}} = \$$

C1 = 1 nF, f = fmin



Channel 1: $\frac{\text{Volt}}{\text{Div}} = \$$

Channel 2: $\frac{\text{Volt}}{\text{Div}} = \$$

Time basis: $\frac{T}{\text{Div}} = \$$

C1 = 1 nF, f = fmax



Channel 1: $\frac{\text{Volt}}{\text{Div}} = \$$

Channel 2: $\frac{\text{Volt}}{\text{Div}} = \$$

Time basis: $\frac{T}{\text{Div}} = \$$

3. Explain how this circuit works in a few sentences.

4. Why is it useful to use R1 as a potentiometer to vary the frequency rather than R2 or R3?

Test Questions

2026/06/17 10:59 · mexleadmin

Duty Cycle Adjustment

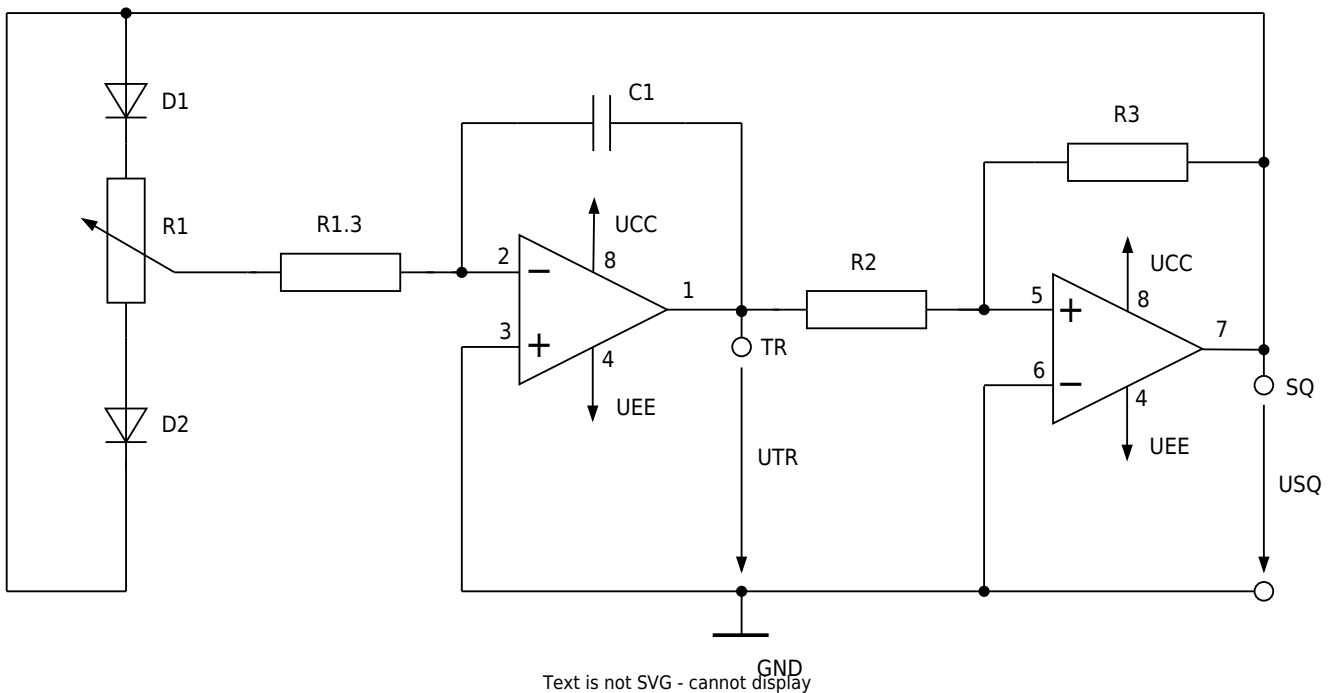
Background Information

After combining the Schmitt trigger and the integrator, the circuit generates a periodic signal with a fixed duty cycle. For many PWM applications, however, it is necessary to adjust the duty cycle in order to control the average power delivered to the load.

In the case of an LED, changing the duty cycle directly affects the perceived brightness. Therefore, the oscillator circuit is modified so that the duty cycle can be varied to control the brightness of the LED.

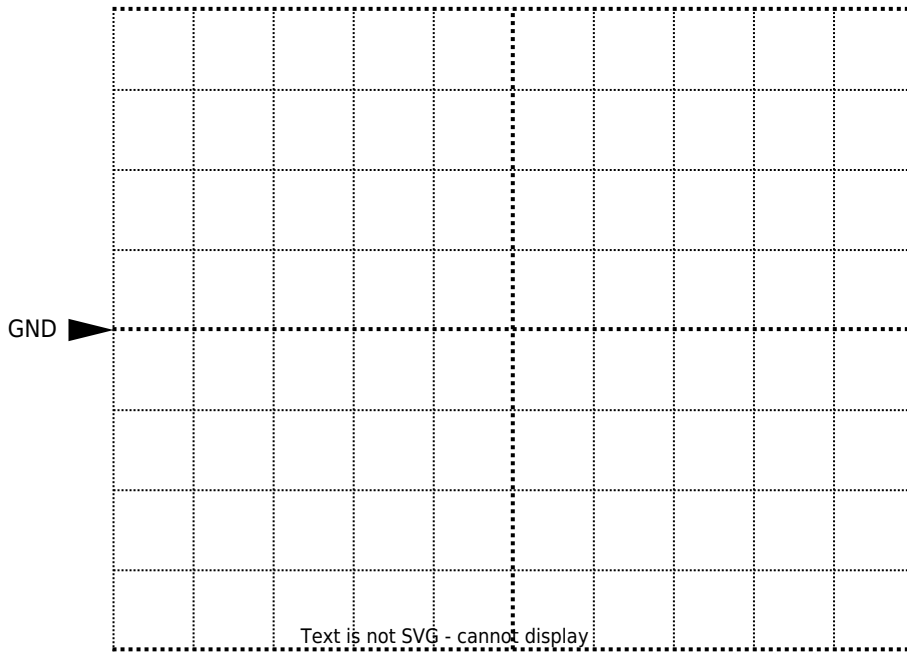
Experimental Tasks

To analyze how to adjust the duty cycle of the PWM-signal, the following circuit is used:



1. Build the circuit on the MEXLE-board. Connect channel 1 of the oscilloscope to TR and channel 2 to SQ. The duty cycle can be adjusted using R1. Perform the measurements for the minimum, maximum, and midpoint duty-cycle settings with the capacitances $C1 = 10\text{nF}$ and $C1 = 1\text{nF}$. Sketch the oscilloscope screen for each case.

C1 = 10 nF, minimum duty cycle

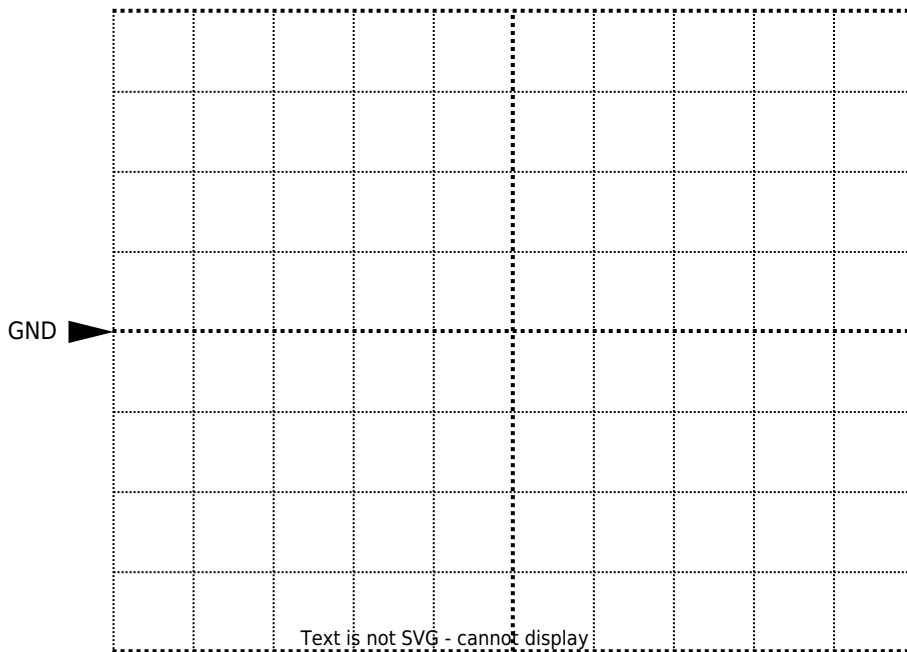


Channel 1: $\frac{\text{Volt}}{\text{Div}} = \$$

Channel 2: $\frac{\text{Volt}}{\text{Div}} = \$$

Time basis: $\frac{T}{\text{Div}} = \$$

C1 = 10 nF, maximum duty cycle

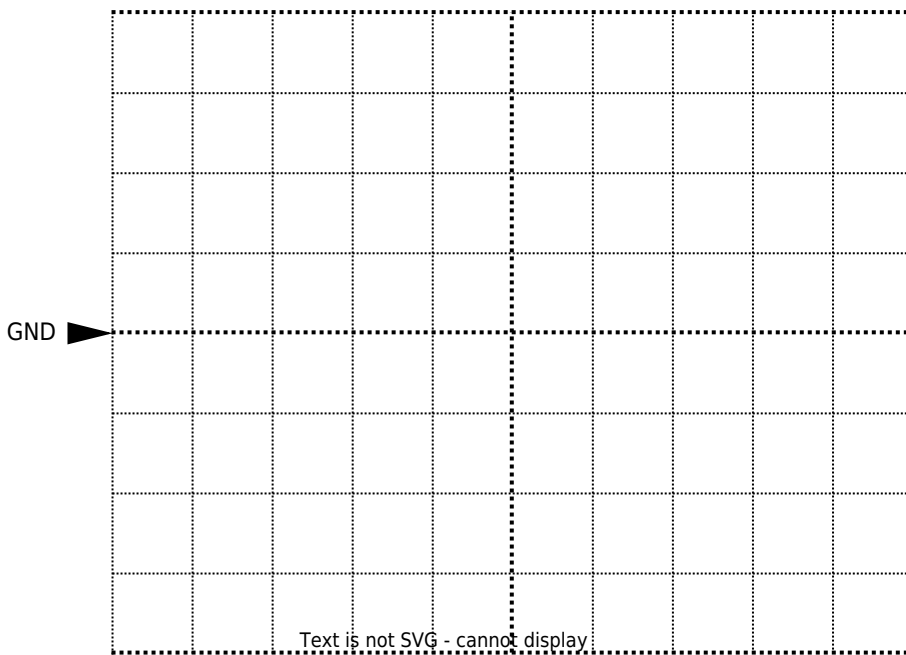


Channel 1: $\frac{\text{Volt}}{\text{Div}} = \$$

Channel 2: $\frac{\text{Volt}}{\text{Div}} = \$$

Time basis: $\frac{T}{Div} =$

C1 = 10 nF, middle position

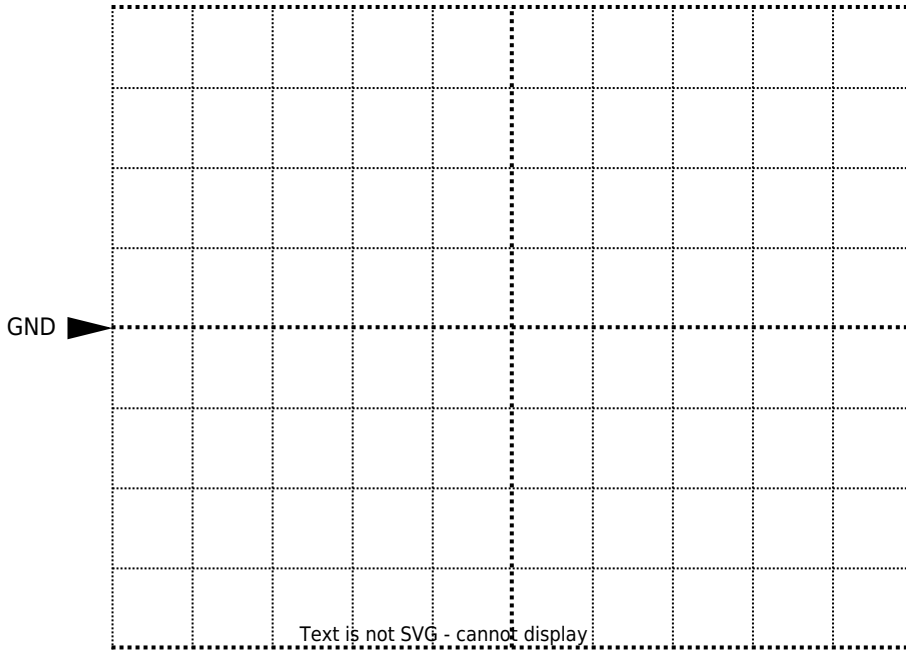


Channel 1: $\frac{Volt}{Div} =$

Channel 2: $\frac{Volt}{Div} =$

Time basis: $\frac{T}{Div} =$

C1 = 1 nF, minimum duty cycle

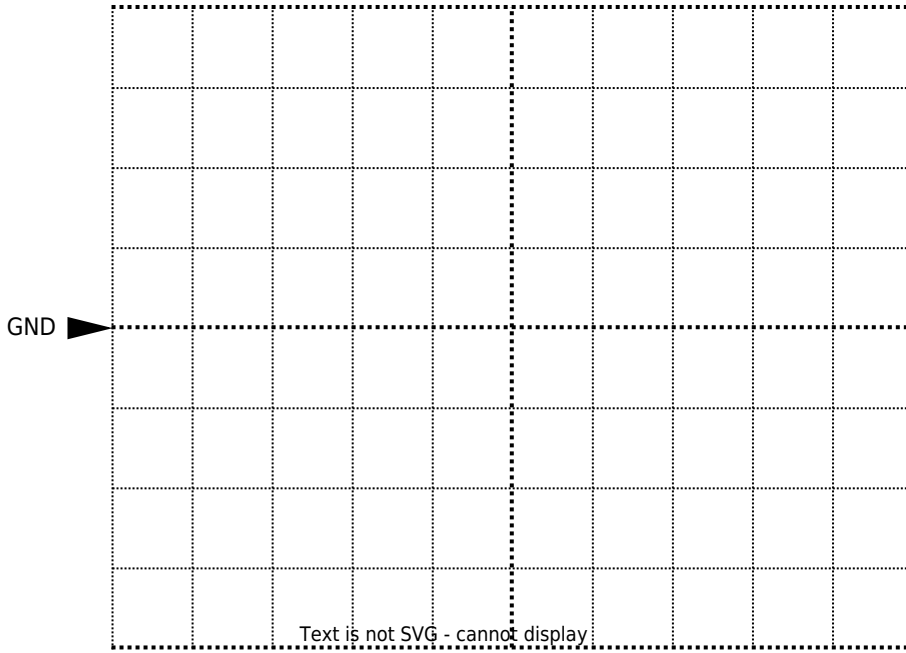


Channel 1: $\frac{\text{Volt}}{\text{Div}} = \$$

Channel 2: $\frac{\text{Volt}}{\text{Div}} = \$$

Time basis: $\frac{T}{\text{Div}} = \$$

C1 = 1 nF, maximum duty cycle

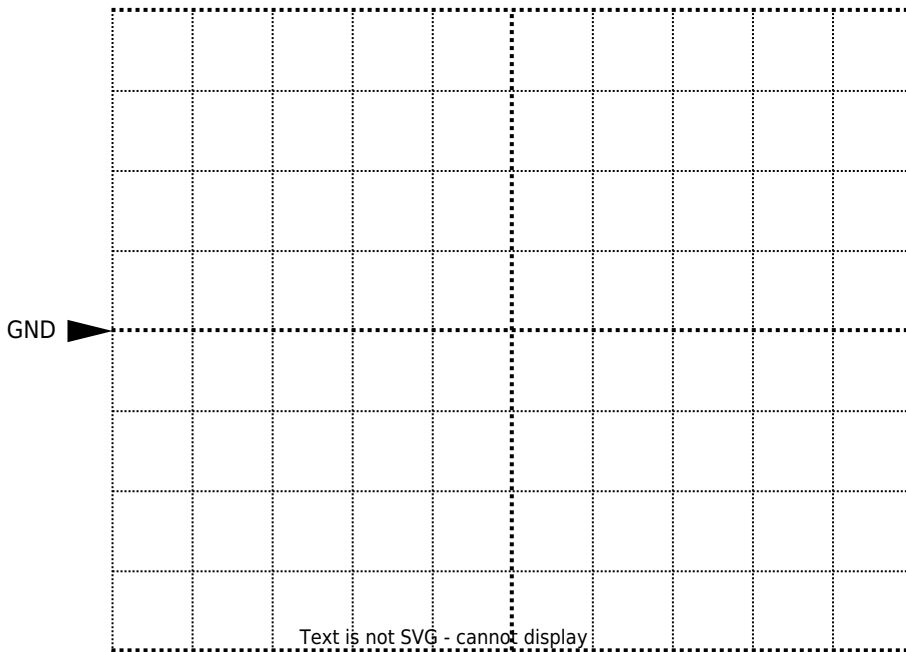


Channel 1: $\frac{\text{Volt}}{\text{Div}} = \$$

Channel 2: $\frac{\text{Volt}}{\text{Div}} = \$$

Time basis: $\frac{T}{\text{Div}} = \$$

C1 = 1 nF, middle position



Channel 1: $\frac{\text{Volt}}{\text{Div}} = \$$

Channel 2: $\frac{\text{Volt}}{\text{Div}} = \$$

Time basis: $\frac{T}{\text{Div}} = \$$

1. Explain how this circuit works in a few sentences.

2026/06/17 11:00 · mexleadadmin

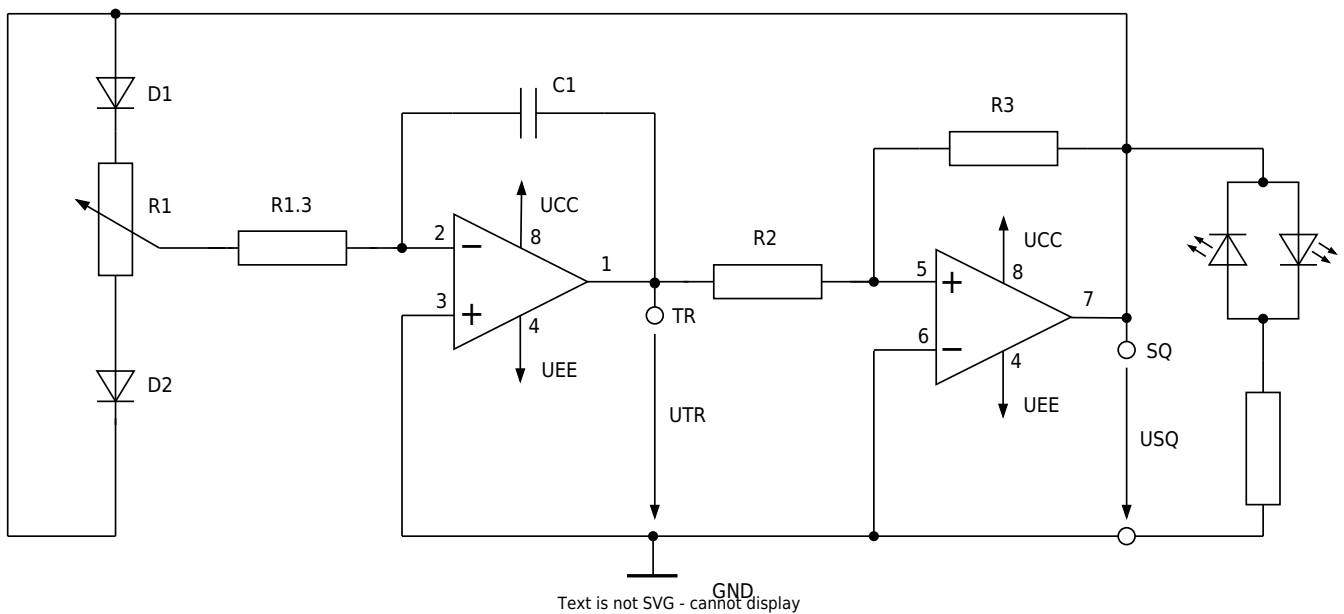
LED Brightness Control using PWM

Background Information

In the final part of the experiment, LEDs are connected to the circuit and their brightness is controlled using the generated PWM signal. By adjusting the duty cycle, the average power delivered to the LEDs changes, resulting in a corresponding change in brightness.

Experimental Tasks

To analyze how to adjust the brightness of LED-lamps, using a PWM-signal, the following circuit is used:



1. Build the circuit on the MEXLE-board. To do this, connect two LEDs in anti-parallel. What value must the series resistor for the LEDs have? **An LED requires approx. 20 mA to operate.**

2. Use the circuit variant with **C1 = 10 nF**. Vary the duty cycle and document the result.

3. What are the advantages of this type of brightness control? Name some applications.

4. How would the circuit have to be designed if only one LED is to be operated with brightness control?

2026/06/17 11:01 · mexleadmin

Preparation

For this experiment, you should be able to apply and explain the following concepts:

1. "golden rules" for the negatively feedback, idealized operational amplifier
2. deviating properties of the real operational amplifier (e.g., output swing range, slew rate)
3. output-voltage waveform U_A of the inverting integrator (inverting integrator) for different input voltages U_E , e.g.

1. DC voltage
2. square-wave voltage
3. arbitrary voltage waveform
4. integration time constant of the inverting integrator
5. Schmitt trigger
 1. difference in feedback compared to the inverting integrator
 2. idealized relationship between U_E and U_A
 3. idealized line diagram: U_E and U_A as a function of time
 4. switching thresholds
 5. threshold voltage
 6. hysteresis
 7. real behavior: output "in saturation"
6. structure of the triangle-square-wave generator

From:

<https://wiki.mexle.org/> - **MEXLE Wiki**

Permanent link:

https://wiki.mexle.org/lab_electrical_engineering/6_opamps_2?rev=1781686600

Last update: **2026/06/17 10:56**

