

# LED Brightness Control using PWM

## Student Group

First Name	Surname	Matrikel Nr.

## Table of Contents

<b>LED Brightness Control using PWM</b> .....	2
Background Information .....	2
Experimental Tasks .....	2

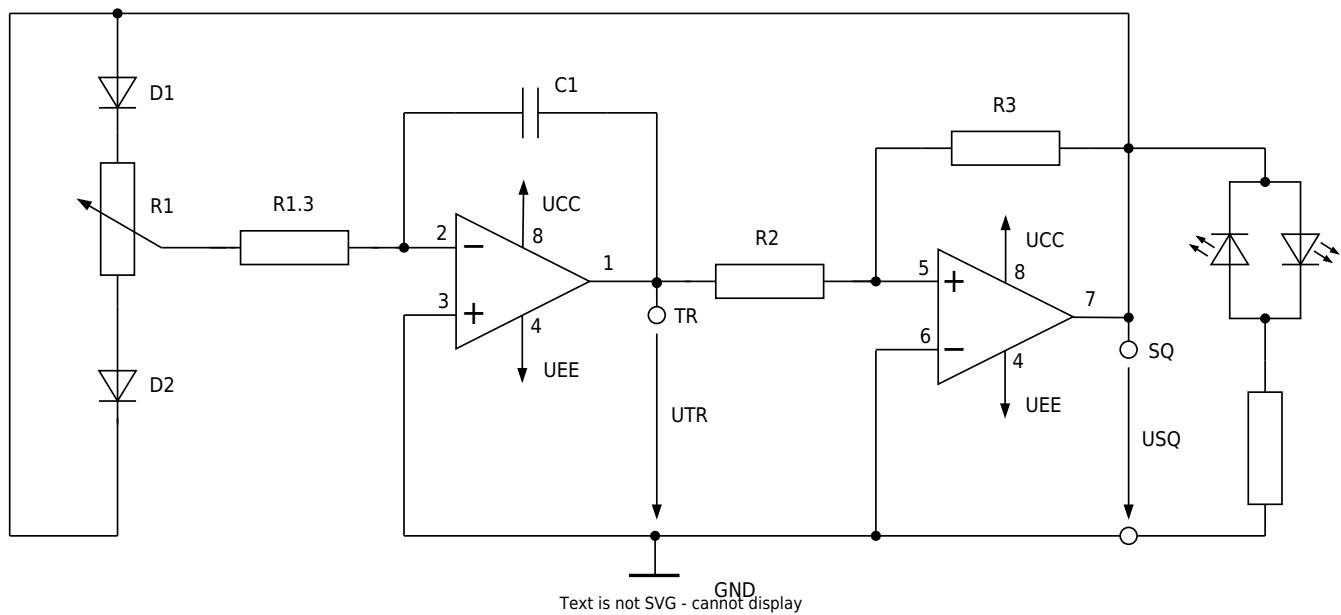
# LED Brightness Control using PWM

## Background Information

In the final part of the experiment, LEDs are connected to the circuit and their brightness is controlled using the generated PWM signal. By adjusting the duty cycle, the average power delivered to the LEDs changes, resulting in a corresponding change in brightness.

## Experimental Tasks

To analyze how to adjust the brightness of LED-lamps, using a PWM-signal, the following circuit is used:



1. Build the circuit on the MEXLE-board. To do this, connect two LEDs in anti-parallel. What value must the series resistor for the LEDs have? **An LED requires approx. 20 mA to operate.**

